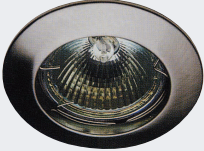
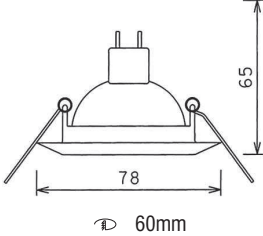
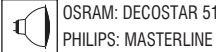






	Page SPOT 10 (FIXED).....34		Page FLASH 2 - ADJUSTABLE39		Page News T53044
	Page SPOT 15 (ADJUSTABLE).....34		Page T50040		Page News T530 - LED44
	Page MINIOR (ADJUSTABLE)34		Page T500 Low40		Page News T530 Low - LED44
	Page 5035		Page News T500 Low -LED41		Page News T540 Quattro45
	Page SPOT 150 / 163 / 18035		Page News T500 -LED41		Page News T540 Quattro - LED45
	Page SPOT 32 / 3436		Page T51042		Page News T540 Low Quattro - LED45
	Page AXIO 6036		Page News T510 - LED42		Page MICROQUADRO AS47
	Page News SKY - LED36		Page News T510 Low -LED42		Page MICROQUADRO SYM47
	Page News FLASH 1 - FIXED38		Page T52043		Page MICROQUADRO AS47
	Page News FLASH 1 - ADJUSTABLE38		Page News T520 - LED43		Page MICROQUADRO AS48
	Page News FLASH 2 - FIXED39		Page News T520 Low - LED43		Page MICROQUADRO AS48


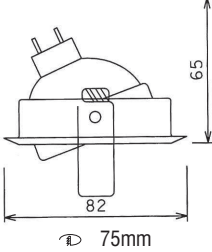
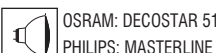




LIGHTING SYSTEMS

	News QUADRO 89	Page48		News SOL 1 Q LED	Page54		MINI TEO - TRIMLESS	Page63
	P500	Page49		News SOL 1	Page56		T400	Page64
	P510	Page49		News SOL 1 LED	Page56		T410	Page64
	P520	Page49		News SOL 2	Page58		T420	Page64
	News T7600	Page50		News SOL 2 LED	Page58		News T400 LED	Page65
	News T7510 - TRIMLESS	Page50		News LUNA ROUND 175 - ADJUSTABLE	Page59		News T410 LED	Page65
	News GESSI G028	Page51		News LUNA ROUND 175 LED - ADJUSTABLE	Page59		News T420 LED	Page65
	News GESSI G028AS	Page51		TEO	Page60		News T7400 - TRIMLESS	Page66
	News GESSI G111	Page51		AVO	Page61		News T7410 - TRIMLESS	Page66
	News SOL 1 Mini	Page52		MINI TEO	Page62		News T7420 - TRIMLESS	Page66
	News SOL 1 Q Mini	Page53		MINI TEO LED	Page62		T600	Page67
	News SOL 1 Q	Page54						


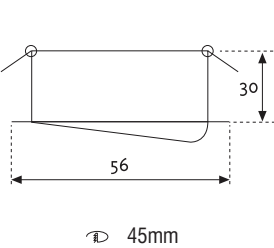
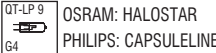



 T610	Page67	 T830	Page75	 T940 LOUVRE	Page81
 T620	Page68	 News ERIS 1	Page76	 SKYLIGHT S.B.	Page81
 T630	Page69	 News ERIS 2	Page76	 SKYLIGHT S.B.	Page81
 T650	Page70	 News ERIS 3 - ASYMMETRIC	Page77	 QP 2	Page82
 T700	Page71	 News ROLLER	Page77	 QP 3	Page82
 T71	Page71	 NYKS	Page78	 QP 4	Page82
 T720	Page71	 NYKS 2X	Page78	 QP 4 QUATTRO	Page82
 T730	Page72	 NYKS 3X	Page78	 QP HIT	Page83
 T750	Page72	 T640	Page79	 WEBSITE 2X	Page83
 T800	Page74	 T900 PLEXI	Page80	 WEBSITE 3X	Page83
 T810	Page74	 T910 PLEXI	Page80	 WEBSITE 4X	Page83
 T820	Page75	 T930 LOUVRE	Page80		


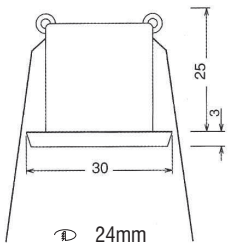

		 	SPOT 10 (FIXED) (DOWNLIGHTS)	
		Diecast aluminium ring	  	
			PRICE LIST	
CODE	DESCRIPTION	COLOUR	Without Transformer	
881011	1x50W QR-CBC 51 / GU5.3	107 white		+ Transformer Selection 12V
881012	1x50W QR-CBC 51 / GU5.3	titan		+ Transformer Selection 12V
881013	1x50W QR-CBC 51 / GU5.3	102 black		+ Transformer Selection 12V
881014	1x50W QR-CBC 51 / GU5.3	101 chrome		+ Transformer Selection 12V
881015	1x50W QR-CBC 51 / GU5.3	105 matt Alum.		+ Transformer Selection 12V
881016	1x50W QR-CBC 51 / GU5.3	106 gold		+ Transformer Selection 12V
881017	1x50W QR-CBC 51 / GU5.3	109 matt gold		+ Transformer Selection 12V


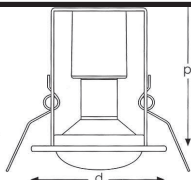


The preceding luminaires are also available with GU10 porcelain lampholder **Code: 808101** for PAR 16 lamps with burden on the **PRICE LIST: €**

		 	SPOT 15 (ADJUSTABLE) (DOWNLIGHTS)	
		Diecast aluminium ring	  	
			PRICE LIST	
CODE	DESCRIPTION	COLOUR	Without Transformer	
881031	1x50W QR-CBC 51 / GU5.3	157 white		+ Transformer Selection 12V
881032	1x50W QR-CBC 51 / GU5.3	titan		+ Transformer Selection 12V
881033	1x50W QR-CBC 51 / GU5.3	152 black		+ Transformer Selection 12V
881034	1x50W QR-CBC 51 / GU5.3	151 chrome		+ Transformer Selection 12V
881035	1x50W QR-CBC 51 / GU5.3	155 matt Alum.		+ Transformer Selection 12V
881036	1x50W QR-CBC 51 / GU5.3	156 gold		+ Transformer Selection 12V
881037	1x50W QR-CBC 51 / GU5.3	159 matt gold		+ Transformer Selection 12V

The preceding luminaires are also available with GU10 porcelain lampholder **Code: 808101** for PAR 16 lamps with burden on the **PRICE LIST: €**

			MINIOR (adjustable) (DOWNLIGHTS)	
		Diecast aluminium ring.	  	
			PRICE LIST	
CODE	DESCRIPTION	COLOUR	Without Transformer	
883014	MINIOR 1x20W QT-LP 9 / G4	Chrome		+ Transformer Selection 12V
883015	MINIOR 1x20W QT-LP 9 / G4	matt Alum.		+ Transformer Selection 12V

				<p>QT-LP 9 OSRAM: HALOSTAR G4 PHILIPS: CAPSULELINE</p>		<p>50 (DOWNLIGHTS)</p>	
		<p>Diecast aluminium ring.</p>					
				PRICE LIST			
CODE	DESCRIPTION	COLOUR	Without Transformer				
881081	1x20W QT-LP 9 / G4	500 white			+ Transformer Selection 12V		
881083	1x20W QT-LP 9 / G4	502 black			+ Transformer Selection 12V		
881084	1x20W QT-LP 9 / G4	501 chrome			+ Transformer Selection 12V		
881085	1x20W QT-LP 9 / G4	505 matt Alum.			+ Transformer Selection 12V		
881086	1x20W QT-LP 9 / G4	506 gold			+ Transformer Selection 12V		
881087	1x20W QT-LP 9 / G4	509 matt gold			+ Transformer Selection 12V		

				<table border="1"> <thead> <tr> <th>Type</th> <th>d</th> <th>p</th> </tr> </thead> <tbody> <tr> <td>150</td> <td>90</td> <td>90</td> </tr> <tr> <td>163</td> <td>105</td> <td>105</td> </tr> <tr> <td>180</td> <td>135</td> <td>110</td> </tr> </tbody> </table>		Type	d	p	150	90	90	163	105	105	180	135	110	<p>SPOT 150 / 163 / 180 (DOWNLIGHTS)</p>	
Type	d	p																	
150	90	90																	
163	105	105																	
180	135	110																	
		<p>Diecast aluminium ring.</p>																	
				PRICE LIST															
CODE	DESCRIPTION	COLOUR																	
SPOT 150																			
881021	1x max.40W R50 / E14	1500 white																	
881023	1x max.40W R50 / E14	1502 black																	
881024	1x max.40W R50 / E14	1501 chrome																	
881025	1x max.40W R50 / E14	1505 matt Alum.																	
881026	1x max.40W R50 / E14	1503 gold																	
SPOT 163																			
881041	1x max.60W R63 / E27	1630 white																	
881043	1x max.60W R63 / E27	1632 black																	
881044	1x max.60W R63 / E27	1631 chrome																	
881045	1x max.60W R63 / E27	1635 matt Alum.																	
881046	1x max.60W R63 / E27	1633 gold																	
SPOT 180																			
881051	1x max.100W R80 / E27	1800 white																	
881053	1x max.100W R80 / E27	1802 black																	
881054	1x max.100W R80 / E27	1801 chrome																	
881055	1x max.100W R80 / E27	1805 matt Alum.																	
881056	1x max.100W R80 / E27	1803 gold																	

SPOT 32	SPOT 34			SPOT 32 / SPOT 34 (DOWNLIGHTS)
			Steel body.	

			PRICE LIST	
CODE	DESCRIPTION	COLOUR	Without Transformer	
SPOT 32				
881061	1x max.20W QT-LP 9 / G4	320 white		+ Transformer Selection 12V
881063	1x max.20W QT-LP 9 / G4	321 chrome		+ Transformer Selection 12V
881064	1x max.20W QT-LP 9 / G4	325 matt Alum.		+ Transformer Selection 12V
881065	1x max.20W QT-LP 9 / G4	326 gold		+ Transformer Selection 12V
881066	1x max.20W QT-LP 9 / G4	329 matt gold		+ Transformer Selection 12V
SPOT 34				
881071	1x max.20W QT-LP 9 / G4	340 white		+ Transformer Selection 12V
881073	1x max.20W QT-LP 9 / G4	341 chrome		+ Transformer Selection 12V
881074	1x max.20W QT-LP 9 / G4	345 matt Alum.		+ Transformer Selection 12V
881075	1x max.20W QT-LP 9 / G4	346 gold		+ Transformer Selection 12V
881076	1x max.20W QT-LP 9 / G4	349 matt gold		+ Transformer Selection 12V

			AXIO 60 (DOWNLIGHTS)
		Diecast aluminium ring.	

			PRICE LIST	
CODE	DESCRIPTION	COLOUR	Without Transformer	
886011	1x max.50W QT-LP 12/ GY 6,35	OS-AX6000-10 white		+ Transformer Selection 12V
886015	1x max.50W QT-LP 12/ GY 6,35	OS-AX6000-72 matt Alum.		+ Transformer Selection 12V



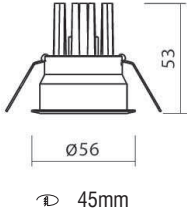
			<ul style="list-style-type: none"> Aluminium body. Methacrylate sandblast louvre. Easy installation with clips 	SKY (RECESSED LED SPOT)



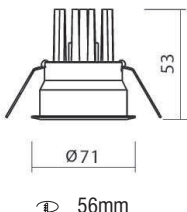
					PRICE LIST	
CODE	DESCRIPTION	HOLE (mm)	LED COLOUR	DRIVER		
88010	1 LED x 2,6W	Ø 40	Selection from table	Not Included		
					Driver Code: 800060	

LED Colour Codes:

- 1 Cold 2 Warm 3 Neutral 4 Blue 5 Yellow 6 Red 7 Green



			<p>FLASH 1 - FIXED (LED RECESSED LUMINAIRES))</p> <p>CE F IP 40</p> <p>LED CHIP - High Brightness</p> <ul style="list-style-type: none"> Aluminium body. Anodized aluminum heatsink. Beam distribution lens. 	<p>PRICE LIST</p>		
CODE	DESCRIPTION	LED COLOUR	BEAM COLOUR	BODY COLOUR	Without Driver	
88130	FLASH 1 FIXED 1W	Selection from table A	Selection from table B	Selection from table C (White - Titan)		+ Driver selection
88130	FLASH 1 FIXED 1W	Selection from table A	Selection from table B	Selection from table C (Chrome - matt Alum.)		+ Driver selection
88132	FLASH 1 FIXED 2W	Selection from table A	Selection from table B	Selection from table C (White - Titan)		+ Driver selection
88132	FLASH 1 FIXED 2W	Selection from table A	Selection from table B	Selection from table C (Chrome - matt Alum.)		+ Driver selection

			<p>FLASH 1 - ADJUSTABLE (LED RECESSED LUMINAIRES))</p> <p>CE F IP 40</p> <p>LED CHIP - High Brightness</p> <ul style="list-style-type: none"> Aluminium body. Anodized aluminum heatsink. Beam distribution lens. 	<p>PRICE LIST</p>		
CODE	DESCRIPTION	LED COLOUR	BEAM COLOUR	BODY COLOUR	Without Driver	
88131	FLASH 1 ADJUSTABLE 1W	Selection from table A	Selection from table B	Selection from table C (White - Titan)		+ Driver selection
88131	FLASH 1 ADJUSTABLE 1W	Selection from table A	Selection from table B	Selection from table C (Chrome - matt Alum.)		+ Driver selection
88133	FLASH 1 ADJUSTABLE 2W	Selection from table A	Selection from table B	Selection from table C (White - Titan)		+ Driver selection
88133	FLASH 1 ADJUSTABLE 2W	Selection from table A	Selection from table B	Selection from table C (Chrome - matt Alum.)		+ Driver selection

LED Colour Codes:
2 Warm 3 Neutral



Beam Codes:
10 narrow 30 wide 45 super-wide

Body Colour Codes:
0 Colours 1 White 2 Titan 4 Chrome 5 matt Alum.

DRIVERS							PRICE LIST	
LED LUMINAIRES DESCRIPTION	No Luminaires		DIMENSIONS mm				CODE	PRICE
	min.	max.						
FLASH 1 (CONSTANT CURRENT) 1W	1	4	350mA 6W	IP20	70 x 35 x 21		800020	
FLASH 1 (CONSTANT CURRENT) 1W	1	12	350mA 15W	IP20	160 x 22 x 19		800021	
FLASH 1 (CONSTANT CURRENT) 1W	1	12	350mA 15W	IP20	120 x 35 x 19		800022	
FLASH 1 (CONSTANT CURRENT) 2W	1	5	500mA 12W	IP20	120 x 35 x 19		800023	
FLASH 1 (CONSTANT CURRENT) 2W	1	2	500mA 6W	IP20	70 x 35 x 21		800024	
SKY (CONSTANT VOLTAGE) 2,6W	1	4	12V DC 13W	IP20	160 x 22 x 19		800060	

DIMMER DRIVERS							PRICE LIST	
LED LUMINAIRES DESCRIPTION	No Luminaires		DIMMER TYPE	DIMENSIONS mm	CODE	PRICE		
	min.	max.						
FLASH 1 (CONSTANT CURRENT) 1W	1	11	350mA 15W IP20	1-10Vdc/Push Button	145 x 40 x 28	800040		
FLASH 1 (CONSTANT CURRENT) 2W	1	10	500mA 22W IP20	1-10Vdc/Push Button	145 x 40 x 28	800040		

			<p>FLASH 2 - FIXED (LED RECESSED LUMINAIRES))</p> <p>CE F IP 40</p> <p>LED CHIP - High Brightness</p> <ul style="list-style-type: none"> Aluminium body. Anodized aluminum heatsink. Beam distribution lens. 		
PRICE LIST					
CODE	DESCRIPTION	LED COLOUR	BEAM COLOUR	BODY COLOUR	Without Driver
88134	FLASH 2 FIXED 3W	Selection from table A	Selection from table B	Selection from table C (White - Titan)	+ Driver selection
88134	FLASH 2 FIXED 3W	Selection from table A	Selection from table B	Selection from table C (Chrome - matt Alum.)	+ Driver selection
88136	FLASH 2 FIXED 6W	Selection from table A	Selection from table B	Selection from table C (White - Titan)	+ Driver selection
88136	FLASH 2 FIXED 6W	Selection from table A	Selection from table B	Selection from table C (Chrome - matt Alum.)	+ Driver selection

			<p>FLASH 2 - ADJUSTABLE (LED RECESSED LUMINAIRES))</p> <p>CE F IP 40</p> <p>LED CHIP - High Brightness</p> <ul style="list-style-type: none"> Aluminium body. Anodized aluminum heatsink. Beam distribution lens. 		
PRICE LIST					
CODE	DESCRIPTION	LED COLOUR	BEAM COLOUR	BODY COLOUR	Without Driver
88135	FLASH 2 ADJUSTABLE 3W	Selection from table A	Selection from table B	Selection from table C (White - Titan)	+ Driver selection
88135	FLASH 2 ADJUSTABLE 3W	Selection from table A	Selection from table B	Selection from table C (Chrome - matt Alum.)	+ Driver selection
88137	FLASH 2 ADJUSTABLE 6W	Selection from table A	Selection from table B	Selection from table C (White - Titan)	+ Driver selection
88137	FLASH 2 ADJUSTABLE 6W	Selection from table A	Selection from table B	Selection from table C (Chrome - matt Alum.)	+ Driver selection

LED Colour Codes:

A 2 Warm 3 Neutral

Beam Codes:

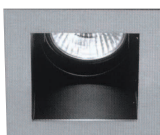
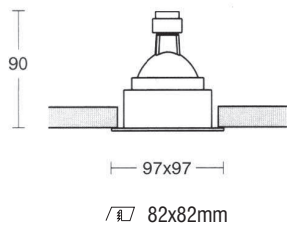

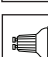
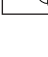
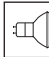




B 10 narrow 30 wide 45 super-wide

Body Colour Codes:


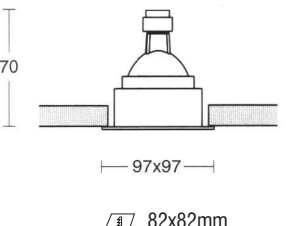

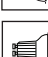


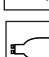



C 0 Colours 1 White 2 Titan 4 Chrome 5 matt Alum.

DRIVERS							PRICE LIST	
LED LUMINAIRES DESCRIPTION	No Luminaires		DIMENSIONS mm				CODE	PRICE
	min.	max.						
FLASH 2 (CONSTANT CURRENT) 3W	1	2	350mA	8W	IP20	70 x 35 x 21	800020	
FLASH 2 (CONSTANT CURRENT) 3W	1	5	350mA	15W	IP20	160 x 22 x 19	800021	
FLASH 2 (CONSTANT CURRENT) 3W	1	5	350mA	15W	IP20	120 x 35 x 19	800022	
FLASH 2 (CONSTANT CURRENT) 6W	1	1	500mA	6W	IP20	70 x 35 x 21	800024	
FLASH 2 (CONSTANT CURRENT) 6W	1	2	500mA	12W	IP20	120 x 35 x 19	800023	
FLASH 2 (CONSTANT CURRENT) 6W	1	5	500mA	30W	IP20	160 x 50 x 22	800030	

DIMMER DRIVERS							PRICE LIST	
LED LUMINAIRES DESCRIPTION	No Luminaires		DIMMER TYPE	DIMENSIONS mm		CODE	PRICE	
	min.	max.						
FLASH 2 (CONSTANT CURRENT) 3W	1	3	350mA 15W IP20	1-10Vdc/Push Button	145 x 40 x 28	800040		
FLASH 2 (CONSTANT CURRENT) 6W	1	3	500mA 22W IP20	1-10Vdc/Push Button	145 x 40 x 28	800040		

		 OSRAM: DECOSTAR 51  PHILIPS: MASTERLINE  LED	 PAR 16  FLUO	T500 (RECESSED DOWNLIGHTS)
				  

			PRICE LIST	
CODE	DESCRIPTION	COLOUR	Without Transformer	
88511	T500 1x50W QR-CBC 51 / GU5.3	White, Titan, Black		+ Transformer 12V Selection
88513	T501 1x50W PAR16 (LED, FLUO) / GU10	White, Titan, Black		
88511	T500 1x50W QR-CBC 51 / GU5.3	Chrome, matt Alum., Gold		+ Transformer 12V Selection
88513	T501 1x50W PAR16 (LED, FLUO) / GU10	Chrome, matt Alum., Gold		

		 OSRAM: DECOSTAR 51  PHILIPS: MASTERLINE  LED	 PAR 16  FLUO	T500 Low (RECESSED DOWNLIGHTS)
				  

			PRICE LIST	
CODE	DESCRIPTION	COLOUR	Without Transformer	
88512	T500 1x50W QR-CBC 51 / GU5.3	White, Titan, Black		+ Transformer 12V Selection
88514	T501 1x50W PAR16 (LED, FLUO) / GU10	White, Titan, Black		
88512	T500 1x50W QR-CBC 51 / GU5.3	Chrome, matt Alum., Gold		+ Transformer 12V Selection
88514	T501 1x50W PAR16 (LED, FLUO) / GU10	Chrome, matt Alum., Gold		



			<p>LED CHIP - High Brightness</p> <ul style="list-style-type: none"> • Steel body. • Anodized aluminum heatsink. • Beam distribution lens. 		<p>T500 LOW - LED (RECESSED LUMINAIRES)</p> <p>CE F IP 40</p>	
					PRICE LIST	
CODE	DESCRIPTION	LED COLOUR	BEAM COLOUR	BODY COLOUR	Without Driver	
85802	T500 LOW 1 x 3W	Selection from table A	Selection from table B	Selection from table C (White - Titan)		+ Driver selection
85802	T500 LOW 1 x 3W	Selection from table A	Selection from table B	Selection from table C (Chrome - matt Alum.)		+ Driver selection
85803	T500 LOW 1 x 6W	Selection from table A	Selection from table B	Selection from table C (White - Titan)		+ Driver selection
85803	T500 LOW 1 x 6W	Selection from table A	Selection from table B	Selection from table C (Chrome - matt Alum.)		+ Driver selection

			<p>LED CHIP - High Brightness</p> <ul style="list-style-type: none"> • Steel body. • Anodized aluminum heatsink. • Beam distribution lens. 		<p>T500 - LED (RECESSED LUMINAIRES)</p> <p>CE F IP 40</p>	
					PRICE LIST	
CODE	DESCRIPTION	LED COLOUR	BEAM COLOUR	BODY COLOUR	Without Driver	
85800	T500 1 x 3W	Selection from table A	Selection from table B	Selection from table C (White - Titan)		+ Driver selection
85800	T500 1 x 3W	Selection from table A	Selection from table B	Selection from table C (Chrome - matt Alum.)		+ Driver selection
85801	T500 1 x 6W	Selection from table A	Selection from table B	Selection from table C (White - Titan)		+ Driver selection
85801	T500 1 x 6W	Selection from table A	Selection from table B	Selection from table C (Chrome - matt Alum.)		+ Driver selection


A LED Colour Codes:
2 Warm 3 Neutral

B Beam Codes:
10 narrow 30 wide 45 super-wide

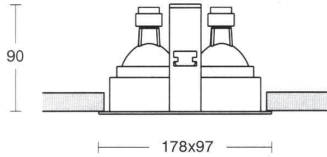
C Body Colour Codes:
0 Colours 1 White 2 Titan 4 Chrome 5 matt Alum.

DRIVERS							PRICE LIST	
LED LUMINAIRES DESCRIPTION	No Luminaires		DIMENSIONS mm				CODE	PRICE
	min.	max.						
T500 (CONSTANT CURRENT) 1x3W	1	1	350mA	6W	IP20	70 x 35 x 21	800020	
T500 (CONSTANT CURRENT) 1x3W	1	4	350mA	15W	IP20	160 x 22 x 19	800021	
T500 (CONSTANT CURRENT) 1x3W	1	4	350mA	15W	IP20	120 x 35 x 19	800022	
T500 (CONSTANT CURRENT) 1x6W	1	2	700mA	14W	IP20	158 x 21 x 19	800026	
T500 (CONSTANT CURRENT) 1x6W	1	3	700mA	20W	IP20	145 x 50 x 22	800027	
T500 (CONSTANT CURRENT) 1x6W	1	4	700mA	30W	IP20	160 x 50 x 22	800028	

DIMMER DRIVERS						PRICE LIST	
LED LUMINAIRES DESCRIPTION	No Luminaires		DIMMER TYPE	DIMENSIONS mm		CODE	PRICE
	min.	max.					
T500 (CONSTANT CURRENT) 1x3W	1	3	350mA 15W IP20	1-10Vdc/Push Button	145 x 40 x 28	800040	
T500 (CONSTANT CURRENT) 1x6W	1	3	700mA 30W IP20	1-10Vdc/Push Button	145 x 40 x 28	800040	



162x82mm



OSRAM: DECOSTAR 51
PHILIPS: MASTERLINE

PAR 16

LED


FLUO

- Steel body.
- Steel ring (flange).

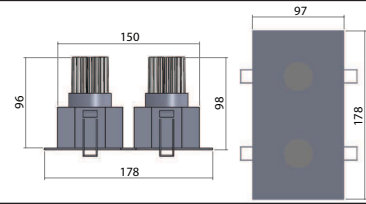
T510
(RECESSED DOWNLIGHTS)

CE F IP 20

				PRICE LIST	
CODE	DESCRIPTION	COLOUR	Without Transformer		
88515	T510 2x50W QR-CBC 51 / GU5.3	White, Titan, Black			+ Transformer 12V Selection
88517	T511 2x50W PAR16 (LED, FLUO) / GU10	White, Titan, Black			
88515	T510 2x50W QR-CBC 51 / GU5.3	Chrome, matt Alum., Gold			+ Transformer 12V Selection
88517	T511 2x50W PAR16 (LED, FLUO) / GU10	Chrome, matt Alum., Gold			



162x82mm




LED CHIP - High Brightness

- Steel body.
- Anodized aluminum heatsink.
- Beam distribution lens.

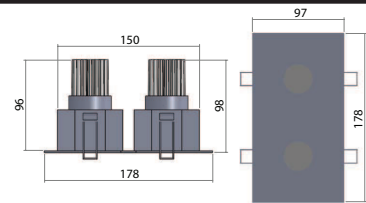
T510 - LED
(RECESSED LUMINAIRES)

CE F IP 40

					PRICE LIST	
CODE	DESCRIPTION	LED COLOUR	BEAM COLOUR	BODY COLOUR	Without Driver	
85804	T510 2 x 3W	Selection from table A	Selection from table B	Selection from table C (White - Titan)		+ Driver selection
85804	T510 2 x 3W	Selection from table A	Selection from table B	Selection from table C (Chrome - matt Alum.)		+ Driver selection
85805	T510 2 x 6W	Selection from table A	Selection from table B	Selection from table C (White - Titan)		+ Driver selection
85805	T510 2 x 6W	Selection from table A	Selection from table B	Selection from table C (Chrome - matt Alum.)		+ Driver selection



162x82mm



LED CHIP - High Brightness

- Steel body.
- Anodized aluminum heatsink.
- Beam distribution lens.

T510 LOW - LED
(RECESSED LUMINAIRES)

CE F IP 40

					PRICE LIST	
CODE	DESCRIPTION	LED COLOUR	BEAM COLOUR	BODY COLOUR	Without Driver	
85806	T510 LOW 2 x 3W	Selection from table A	Selection from table B	Selection from table C (White - Titan)		+ Driver selection
85806	T510 LOW 2 x 3W	Selection from table A	Selection from table B	Selection from table C (Chrome - matt Alum.)		+ Driver selection
85807	T510 LOW 2 x 6W	Selection from table A	Selection from table B	Selection from table C (White - Titan)		+ Driver selection
85807	T510 LOW 2 x 6W	Selection from table A	Selection from table B	Selection from table C (Chrome - matt Alum.)		+ Driver selection

DRIVERS						PRICE LIST		
LED LUMINAIRES DESCRIPTION	No Luminaires		DIMENSIONS mm			CODE	PRICE	
	min.	max.						
T510 (CONSTANT CURRENT) 2x3W	1	2	350mA	15W	IP20	160 x 22 x 19	800021	
T510 (CONSTANT CURRENT) 2x3W	1	2	350mA	15W	IP20	120 x 35 x 19	800022	
T510 (CONSTANT CURRENT) 2x6W	1	1	700mA	14W	IP20	158 x 21 x 19	800026	
T510 (CONSTANT CURRENT) 2x6W	1	1	700mA	20W	IP20	145 x 50 x 22	800027	
T510 (CONSTANT CURRENT) 2x6W	1	2	700mA	30W	IP20	160 x 50 x 22	800028	

DIMMER DRIVERS					PRICE LIST		
LED LUMINAIRES DESCRIPTION	No Luminaires		DIMMER TYPE	DIMENSIONS mm	CODE	PRICE	
	min.	max.					
T510 (CONSTANT CURRENT) 2x3W	1	2	350mA 15W IP20	1-10Vdc/Push Button	145 x 40 x 28	800040	
T510 (CONSTANT CURRENT) 2x6W	1	2	700mA 30W IP20	1-10Vdc/Push Button	145 x 40 x 28	800040	

A LED Colour Codes:


2 Warm 3 Neutral

B Beam Codes:

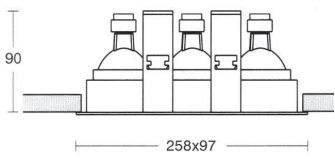
01 narrow 02 wide 03 super-wide

C Body Colour Codes:

0 Colours 1 White 2 Titan 4 Chrome 5 matt Alum.



√ 242x82mm



90
258x97

OSRAM: DECOSTAR 51
PHILIPS: MASTERLINE

LED

- Steel body.
- Steel ring (flange).


PAR 16

FLUO

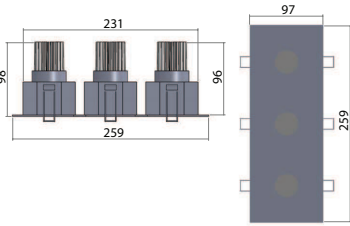
T520
(RECESSED DOWNLIGHTS)

CE F IP 20

				PRICE LIST	
CODE	DESCRIPTION	COLOUR	Without Transformer		
88519	T520 3x50W QR-CBC 51 / GU5.3	White, Titan, Black		+ Transformer 12V Selection	
88521	T521 3x50W PAR16 (LED, FLUO) / GU10	White, Titan, Black			
88519	T520 3x50W QR-CBC 51 / GU5.3	Chrome, matt Alum., Gold		+ Transformer 12V Selection	
88521	T521 3x50W PAR16 (LED, FLUO) / GU10	Chrome, matt Alum., Gold			



√ 242x82mm



231 97 96 259


LED CHIP - High Brightness

- Steel body.
- Anodized aluminum heatsink.
- Beam distribution lens.

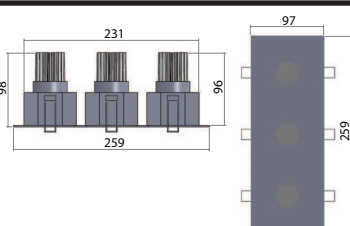
T520 - LED
(RECESSED LUMINAIRES)

CE F IP 40

					PRICE LIST	
CODE	DESCRIPTION	LED COLOUR	BEAM COLOUR	BODY COLOUR	Without Driver	
85808	T520 3 x 3W	Selection from table A	Selection from table B	Selection from table C (White - Titan)		+ Driver selection
85808	T520 3 x 3W	Selection from table A	Selection from table B	Selection from table C (Chrome - matt Alum.)		+ Driver selection
85809	T520 3 x 6W	Selection from table A	Selection from table B	Selection from table C (White - Titan)		+ Driver selection
85809	T520 3 x 6W	Selection from table A	Selection from table B	Selection from table C (Chrome - matt Alum.)		+ Driver selection



√ 242x82mm



231 97 96 259

LED CHIP - High Brightness

- Steel body.
- Anodized aluminum heatsink.
- Beam distribution lens.

T520 LOW - LED
(RECESSED LUMINAIRES)

CE F IP 40

					PRICE LIST	
CODE	DESCRIPTION	LED COLOUR	BEAM COLOUR	BODY COLOUR	Without Driver	
85810	T520 LOW 3 x 3W	Selection from table A	Selection from table B	Selection from table C (White - Titan)		+ Driver selection
85810	T520 LOW 3 x 3W	Selection from table A	Selection from table B	Selection from table C (Chrome - matt Alum.)		+ Driver selection
85811	T520 LOW 3 x 6W	Selection from table A	Selection from table B	Selection from table C (White - Titan)		+ Driver selection
85811	T520 LOW 3 x 6W	Selection from table A	Selection from table B	Selection from table C (Chrome - matt Alum.)		+ Driver selection

DRIVERS					PRICE LIST	
LED LUMINAIRES DESCRIPTION	No Luminaires min. max.	DIMENSIONS mm	CODE		PRICE	
			T520 (CONSTANT CURRENT) 3x3W	1 1		350mA 15W IP20 160 x 22 x 19
T520 (CONSTANT CURRENT) 3x3W	1 1	350mA 15W IP20 120 x 35 x 19	800022			
T520 (CONSTANT CURRENT) 3x6W	1 1	700mA 20W IP20 145 x 50 x 22	800027			
T520 (CONSTANT CURRENT) 3x6W	1 1	700mA 30W IP20 160 x 50 x 22	800028			

DIMMER DRIVERS					PRICE LIST	
LED LUMINAIRES DESCRIPTION	No Luminaires min. max.	DIMMER TYPE	DIMENSIONS mm	CODE		PRICE
				T520 (CONSTANT CURRENT) 3x3W	1 1	
T520 (CONSTANT CURRENT) 3x6W	1 1	700mA 30W IP20 1-10Vdc/Push Button	145 x 40 x 28	800040		

LED Colour Codes:

A 2 Warm 3 Neutral




Beam Codes:

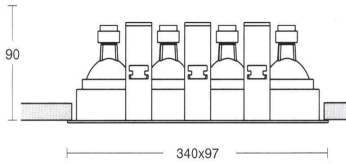
B 01 narrow 02 wide 03 super-wide

Body Colour Codes:

C 0 Colours 1 White 2 Titan 4 Chrome 5 matt Alum.



322x82mm



90
340x97

OSRAM: DECOSTAR 51
PHILIPS: MASTERLINE

LED

- Steel body.
- Steel ring (flange).


PAR 16

FLUO

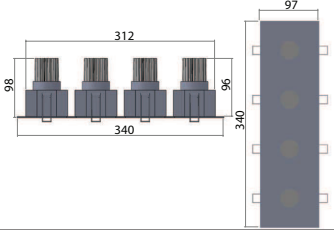
T530
(RECESSED DOWNLIGHTS)

CE F IP 20

				PRICE LIST	
CODE	DESCRIPTION	COLOUR		Without Transformer	
88523	T530 4x50W QR-CBC 51 / GU5.3	White, Titan, Black			+ Transformer 12V Selection
88525	T531 4x50W PAR16 (LED, FLUO) / GU10	White, Titan, Black			
88523	T530 4x50W QR-CBC 51 / GU5.3	Chrome, matt Alum., Gold			+ Transformer 12V Selection
88525	T531 4x50W PAR16 (LED, FLUO) / GU10	Chrome, matt Alum., Gold			



322x82mm



98 312 96 340 97


LED CHIP - High Brightness

- Steel body.
- Anodized aluminum heatsink.
- Beam distribution lens.

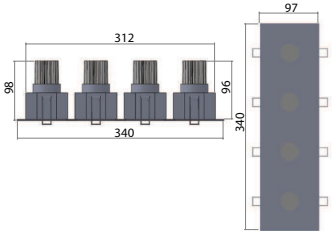
T530 - LED
(RECESSED LUMINAIRES)

CE F IP 40

						PRICE LIST	
CODE	DESCRIPTION	LED COLOUR	BEAM COLOUR	BODY COLOUR	Without Driver		
85812	T530 4 x 3W	Selection from table A	Selection from table B	Selection from table C (White - Titan)		+ Driver selection	
85812	T530 4 x 3W	Selection from table A	Selection from table B	Selection from table C (Chrome - matt Alum.)		+ Driver selection	
85813	T530 4 x 6W	Selection from table A	Selection from table B	Selection from table C (White - Titan)		+ Driver selection	
85813	T530 4 x 6W	Selection from table A	Selection from table B	Selection from table C (Chrome - matt Alum.)		+ Driver selection	



322x82mm



98 312 96 340 97

LED CHIP - High Brightness

- Steel body.
- Anodized aluminum heatsink.
- Beam distribution lens.

T530 LOW - LED
(RECESSED LUMINAIRES)

CE F IP 40

						PRICE LIST	
CODE	DESCRIPTION	LED COLOUR	BEAM COLOUR	BODY COLOUR	Without Driver		
85814	T530 LOW 4 x 3W	Selection from table A	Selection from table B	Selection from table C (White - Titan)		+ Driver selection	
85814	T530 LOW 4 x 3W	Selection from table A	Selection from table B	Selection from table C (Chrome - matt Alum.)		+ Driver selection	
85815	T530 LOW 4 x 6W	Selection from table A	Selection from table B	Selection from table C (White - Titan)		+ Driver selection	
85815	T530 LOW 4 x 6W	Selection from table A	Selection from table B	Selection from table C (Chrome - matt Alum.)		+ Driver selection	

DRIVERS						PRICE LIST	
LED LUMINAIRES DESCRIPTION		No Luminaires		DIMENSIONS mm		CODE	PRICE
		min.	max.				
T530 (CONSTANT CURRENT)	4x3W	1	1	350mA 15W IP20	160 x 22 x 19	800021	
T530 (CONSTANT CURRENT)	4x3W	1	1	350mA 15W IP20	120 x 35 x 19	800022	
T530 (CONSTANT CURRENT)	4x6W	1	1	700mA 30W IP20	160 x 50 x 22	800028	

LED Colour Codes:

A 2 Warm 3 Neutral



Beam Codes:

B 01 narrow 02 wide 03 super-wide

Body Colour Codes:

C 0 Colours 1 White 2 Titan 4 Chrome 5 matt Alum.

OSRAM: DECOSTAR 51
PHILIPS: MASTERLINE

LED

PAR 16
FLUO

- Steel body.
- Steel ring (flange).

T540 quattro
(RECESSED DOWNLIGHTS)

CE F IP 20

			PRICE LIST	
CODE	DESCRIPTION	COLOUR	Without Transformer	
88527	T540 4x50W QR-CBC 51 / GU5.3	White, Titan, Black		+ Transformer 12V Selection
88529	T541 4x50W PAR16 (LED, FLUO) / GU10	White, Titan, Black		
88527	T540 4x50W QR-CBC 51 / GU5.3	Chrome, matt Alum., Gold		+ Transformer 12V Selection
88529	T541 4x50W PAR16 (LED, FLUO) / GU10	Chrome, matt Alum., Gold		

LED CHIP - High Brightness

- Steel body.
- Anodized aluminum heatsink.
- Beam distribution lens.

T540 quattro - LED
(RECESSED LUMINAIRES)

CE F IP 40

					PRICE LIST	
CODE	DESCRIPTION	LED COLOUR	BEAM COLOUR	BODY COLOUR	Without Driver	
85816	T540 quattro 4 x 3W	Selection from table A	Selection from table B	Selection from table C (White - Titan)		+ Driver selection
85816	T540 quattro 4 x 3W	Selection from table A	Selection from table B	Selection from table C (Chrome - matt Alum.)		+ Driver selection
85817	T540 quattro 4 x 6W	Selection from table A	Selection from table B	Selection from table C (White - Titan)		+ Driver selection
85817	T540 quattro 4 x 6W	Selection from table A	Selection from table B	Selection from table C (Chrome - matt Alum.)		+ Driver selection

LED CHIP - High Brightness

- Steel body.
- Anodized aluminum heatsink.
- Beam distribution lens.

T540 LOW quattro - LED
(RECESSED LUMINAIRES)

CE F IP 40

					PRICE LIST	
CODE	DESCRIPTION	LED COLOUR	BEAM COLOUR	BODY COLOUR	Without Driver	
85818	T540 LOW quattro 4 x 3W	Selection from table A	Selection from table B	Selection from table C (White - Titan)		+ Driver selection
85818	T540 LOW quattro 4 x 3W	Selection from table A	Selection from table B	Selection from table C (Chrome - matt Alum.)		+ Driver selection
85819	T540 LOW quattro 4 x 6W	Selection from table A	Selection from table B	Selection from table C (White - Titan)		+ Driver selection
85819	T540 LOW quattro 4 x 6W	Selection from table A	Selection from table B	Selection from table C (Chrome - matt Alum.)		+ Driver selection

DRIVERS						PRICE LIST	
LED LUMINAIRES DESCRIPTION		No Luminaires		DIMENSIONS mm		CODE	PRICE
		min.	max.				
T540 (CONSTANT CURRENT) 4x3W		1	1	350mA 15W IP20	160 x 22 x 19	800021	
T540 (CONSTANT CURRENT) 4x3W		1	1	350mA 15W IP20	120 x 35 x 19	800022	
T540 (CONSTANT CURRENT) 4x6W		1	1	700mA 30W IP20	160 x 50 x 22	800028	

LED Colour Codes:

A 2 Warm 3 Neutral



Beam Codes:

B 01 narrow 02 wide 03 super-wide

Body Colour Codes:

C 0 Colours 1 White 2 Titan 4 Chrome 5 matt Alum.



- OSRAM: DECOSTAR 51
- PHILIPS: MASTERLINE
- LED

- PAR 16
- FLUO

MICROQUADRO
ASYMMETRICAL
(RECESSED DOWNLIGHTS)

CODE			DESCRIPTION		COLOUR	Without Transformer	PRICE LIST
88502	ME.1311	1x50W QR-CBC 51 / GU5.3			White, Titan, Black		+ Transformer 12V Selection
88501	ME.1311	1x50W PAR16 / GU10			White, Titan, Black		
88502	ME.1311	1x50W QR-CBC 51 / GU5.3			Chrome, matt Alum., Gold		+ Transformer 12V Selection
88501	ME.1311	1x50W PAR16 / GU10			Chrome, matt Alum., Gold		

- OSRAM: DECOSTAR 51
- PHILIPS: MASTERLINE
- LED

- PAR 16
- FLUO

MICROQUADRO
SYMMETRICAL
(RECESSED DOWNLIGHTS)

CODE			DESCRIPTION		COLOUR	Without Transformer	PRICE LIST
88503	ME.1312	2x50W QR-CBC 51 / GU5.3			White, Titan, Black		+ Transformer 12V Selection
88533	ME.1312	2x50W PAR16 / GU10			White, Titan, Black		
88503	ME.1312	2x50W QR-CBC 51 / GU5.3			Chrome, matt Alum., Gold		+ Transformer 12V Selection
88533	ME.1312	2x50W PAR16 / GU10			Chrome, matt Alum., Gold		

- OSRAM: DECOSTAR 51
- PHILIPS: MASTERLINE
- LED

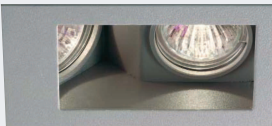
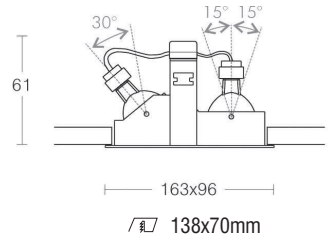

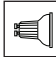

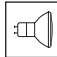
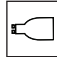



- PAR 16
- FLUO

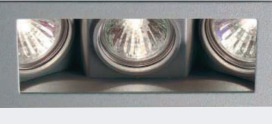
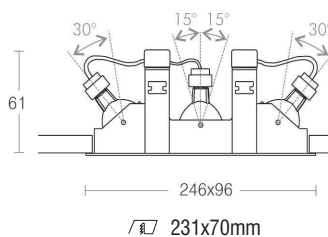

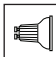

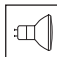
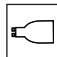



MICROQUADRO
ASYMMETRICAL
(RECESSED DOWNLIGHTS)


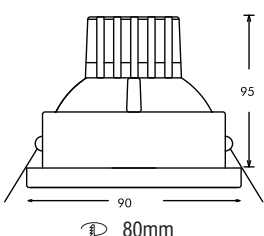
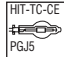

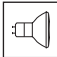



CODE			DESCRIPTION		COLOUR	Without Transformer	PRICE LIST
88508	ME.1313	2x50W QR-CBC 51 / GU5.3			White, Titan, Black		+ Transformer 12V Selection
88534	ME.1313	2x50W PAR16 / GU10			White, Titan, Black		
88508	ME.1313	2x50W QR-CBC 51 / GU5.3			Chrome, matt Alum., Gold		+ Transformer 12V Selection
88534	ME.1313	2x50W PAR16 / GU10			Chrome, matt Alum., Gold		

Colour Codes:


- 1 White
- 2 Titan
- 3 Black
- 4 Chrome
- 5 matt Alum.
- 6 Gold
- 7 matt Gold
- 8 Bronze
- 9 Anodized

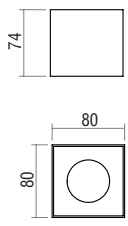
	 <p>61</p> <p>163x96</p> <p>138x70mm</p>	 OSRAM: DECOSTAR 51  PHILIPS: MASTERLINE  LED	 PAR 16  FLUO	MICROQUADRO ASYMMETRICAL (RECESSED DOWNLIGHTS)	
				  	
				PRICE LIST	
CODE	DESCRIPTION	COLOUR	Without Transformer		
88505	ME.1314 2x50W QR-CBC 51 / GU5.3	White, Titan, Black		+ Transformer 12V Selection	
88504	ME.1314 2x50W PAR16 / GU10	White, Titan, Black			
88505	ME.1314 2x50W QR-CBC 51 / GU5.3	Chrome, matt Alum., Gold		+ Transformer 12V Selection	
88504	ME.1314 2x50W PAR16 / GU10	Chrome, matt Alum., Gold			

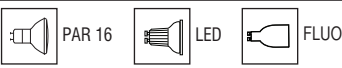
	 <p>61</p> <p>246x96</p> <p>231x70mm</p>	 OSRAM: DECOSTAR 51  PHILIPS: MASTERLINE  LED	 PAR 16  FLUO	MICROQUADRO ASYMMETRICAL (RECESSED DOWNLIGHTS)	
				  	
				PRICE LIST	
CODE	DESCRIPTION	COLOUR	Without Transformer		
88510	ME.1314 3x50W QR-CBC 51 / GU5.3	White, Titan, Black		+ Transformer 12V Selection	
88535	ME.1314 3x50W PAR16 / GU10	White, Titan, Black			
88510	ME.1314 3x50W QR-CBC 51 / GU5.3	Chrome, matt Alum., Gold		+ Transformer 12V Selection	
88535	ME.1314 3x50W PAR16 / GU10	Chrome, matt Alum., Gold			

	 <p>95</p> <p>90</p> <p>80mm</p>	 OSRAM: -  PHILIPS: CDM-Tm  PAR 16	QUADRO 89 (RECESSED DOWNLIGHTS)		
			  		
				PRICE LIST	
CODE	DESCRIPTION	COLOUR	Without Control Gear		
88118	QUADRO 89 1x20W or 35W HIT-TC-CE / PGJ5	White, Titan, Black		+ Control Gear Selection HIT	
88119	QUADRO 89 1x50W PAR16 / GU10	White, Titan, Black			
88118	QUADRO 89 1x20W or 35W HIT-TC-CE / PGJ5	Chrome, matt Alum., Gold		+ Control Gear Selection HIT	
88119	QUADRO 89 1x50W PAR16 / GU10	Chrome, matt Alum., Gold			

Colour Codes:









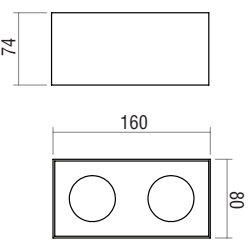
• Aluminium body.

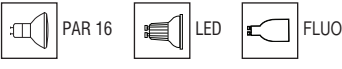
P500
(CEILING LUMINAIRES)



CODE	DESCRIPTION	COLOUR	PRICE LIST
			Without Transformer
88001	P500 1x50W PAR16 (LED, FLUO) / GU10	White, Titan, Black	
88001	P500 1x50W PAR16 (LED, FLUO) / GU10	Chrome, matt Alum.	









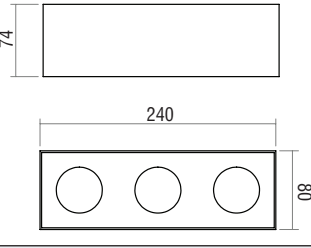
• Aluminium body.

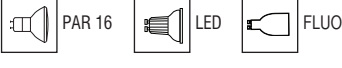
P510
(CEILING LUMINAIRES)



CODE	DESCRIPTION	COLOUR	PRICE LIST
			Without Transformer
88002	P510 2x50W PAR16 (LED, FLUO) / GU10	White, Titan, Black	
88002	P510 2x50W PAR16 (LED, FLUO) / GU10	Chrome, matt Alum.	








• Aluminium body.


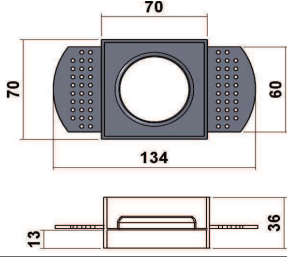
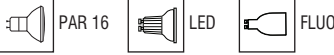
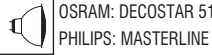

P520
(CEILING LUMINAIRES)



CODE	DESCRIPTION	COLOUR	PRICE LIST
			Without Transformer
88003	P520 3x50W PAR16 (LED, FLUO) / GU10	White, Titan, Black	
88003	P520 3x50W PAR16 (LED, FLUO) / GU10	Chrome, matt Alum.	

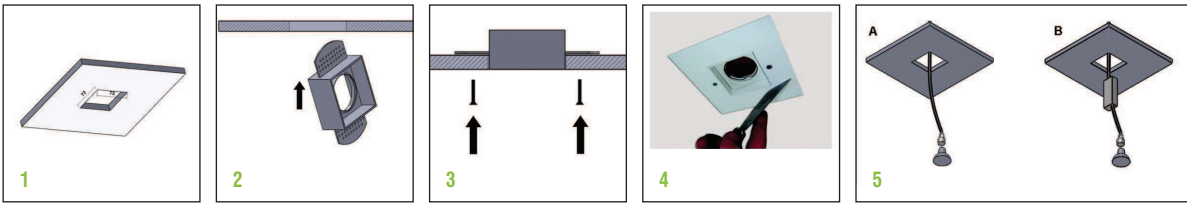
Colour Codes:


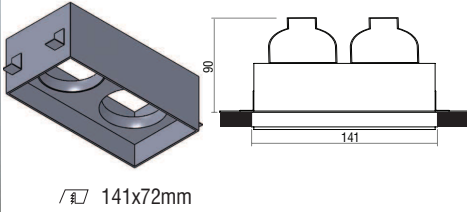
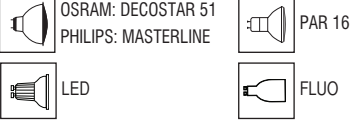

- 1 White
 2 Titan
 3 Black
 4 Chrome
 5 matt Alum.
 6 Gold
 7 matt Gold
 8 Bronze
 9 Anodized

		 	<p>T7600 (RECESSED DOWNLIGHTS)</p> 

			PRICE LIST	
CODE	DESCRIPTION	COLOUR	Without Transformer	
88030	T7600 1x50W QR-CBC 51 / GU5.3	White, Titan, Black	14,00	+ Transformer 12V Selection
88031	T7600 1x50W PAR16 (LED, FLUO) / GU10	White, Titan, Black	15,00	

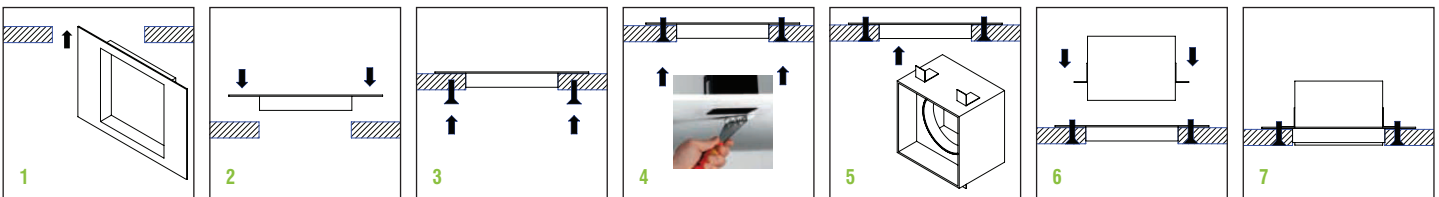
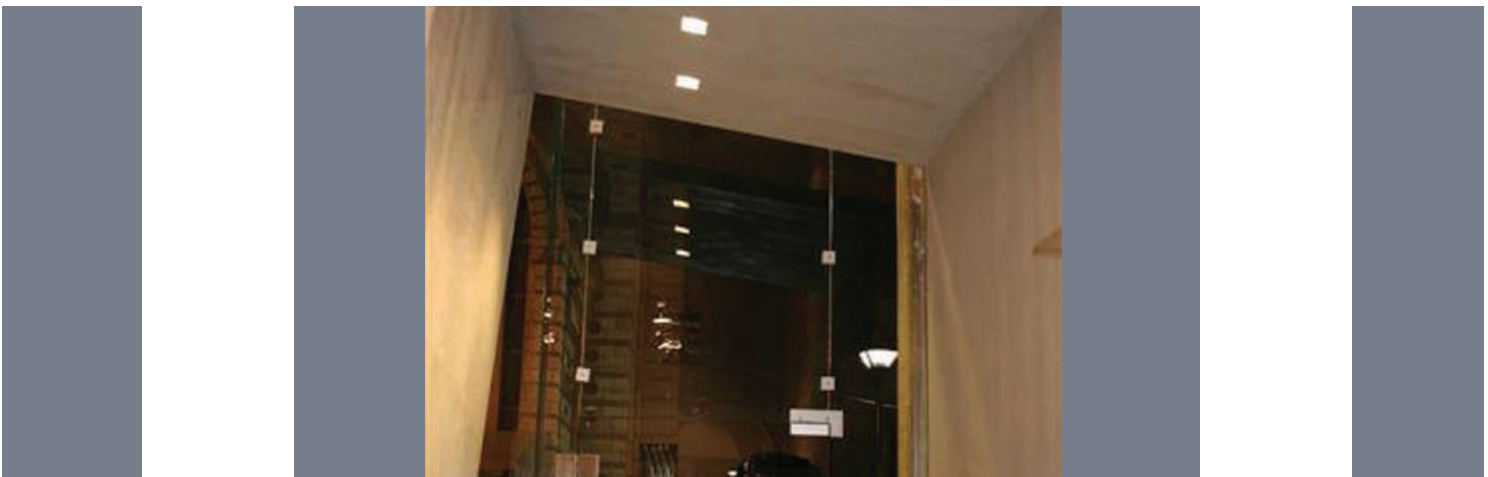
INSTALLATION



			<p>T7510 - TRIMLESS (RECESSED DOWNLIGHTS)</p> 

			PRICE LIST	
CODE	DESCRIPTION	COLOUR	Without Transformer	
88541	T7510 2x50W QR-CBC 51 / GU5.3	White, Titan, Black		+ Transformer 12V Selection
88542	T7511 2x50W PAR16 / GU10	White, Titan, Black		

INSTALLATION

Colour Codes:

- 1 White
 2 Titan
 3 Black
 4 Chrome
 5 matt Alum.
 6 Gold
 7 matt Gold
 8 Bronze
 9 Anodized

		PAR 16 LED FLUO	GESSI G028 TRIMLESS (RECESSED LUMINAIRES)
<ul style="list-style-type: none"> • Plaster trimless recessed luminaire. • Installation frame from steel. • 230V / 50Hz - GU10 			
			PRICE LIST
CODE	DESCRIPTION	COLOUR	
881201	GESSI G028 1x50W PAR16 (LED, FLUO) / GU10		

		PAR 16 LED FLUO	GESSI G028AS TRIMLESS (RECESSED LUMINAIRES)
<ul style="list-style-type: none"> • Plaster trimless recessed luminaire. • Installation frame from steel. • 230V / 50Hz - GU10 			
			PRICE LIST
CODE	DESCRIPTION	COLOUR	
881211	GESSI G028AS 1x50W PAR16 (LED, FLUO) / GU10		

		PAR 16 LED FLUO	GESSI G111 TRIMLESS (RECESSED LUMINAIRES)
<ul style="list-style-type: none"> • Plaster trimless recessed luminaire. • Installation frame from steel. • 230V / 50Hz - GU10 			
			PRICE LIST
CODE	DESCRIPTION	COLOUR	
881221	GESSI G111 1x50W PAR16 (LED, FLUO) / GU10		



OSRAM: DECOSTAR 51
PHILIPS: MASTERLINE

PAR 16

SOL 1 Mini
(RECESSED LUMINAIRES)

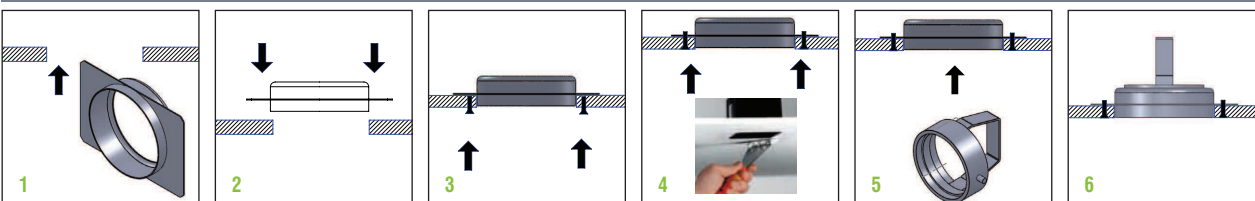
- Outer ring of diecast aluminium with support fins.
- Inner adjustable ring of diecast aluminium.
- Lampholder (lamp-holding) ring of diecast aluminium.



					PRICE LIST	
CODE	DESCRIPTION	HOLE	INNER HEIGHT	COLOUR	Without Control Gear	
86751	SOL1 MINI QR-CBC 51 / GU5.3	105	60	White, Titan, Black		+ Transformer 12V Selection
86752	SOL1 MINI PAR16 / GU10	105	60	White, Titan, Black		
86751	SOL1 MINI QR-CBC 51 / GU5.3	105	60	Colours		+ Transformer 12V Selection
86752	SOL1 MINI PAR16 / GU10	105	60	Colours		

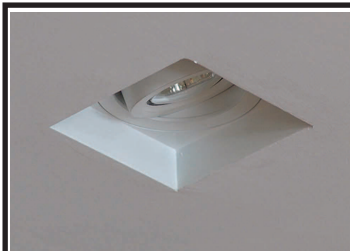


INSTALLATION



Colour Codes:

1 White **2** Titan **3** Black **0** Colours



OSRAM: DECOSTAR 51
PHILIPS: MASTERLINE

PAR 16

SOL 1 Q Mini
(RECESSED LUMINAIRES)

- Outer frame of diecast aluminium with support fins.
- Inner adjustable ring of diecast aluminium.
- Lampholder (lamp-holding) ring of diecast aluminium.

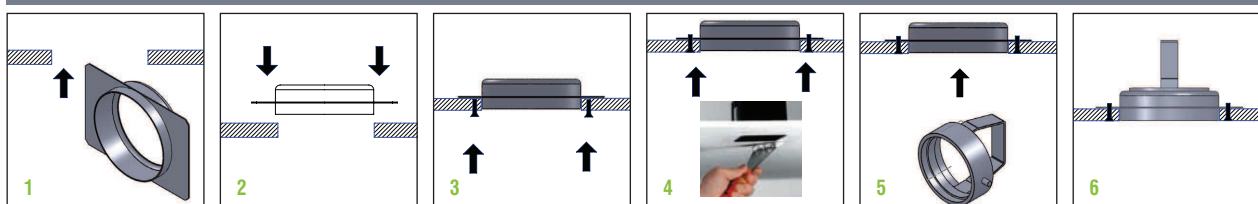


PRICE LIST

CODE	DESCRIPTION	HOLE	INNER HEIGHT	COLOUR	Without Control Gear	
86753	SOL1 Q MINI QR-CBC 51 / GU5.3	107x107	60	White, Titan, Black		+ Transformer 12V Selection
86754	SOL1 Q MINI PAR16 / GU10	107x107	60	White, Titan, Black		
86753	SOL1 Q MINI QR-CBC 51 / GU5.3	107x107	60	Colours		+ Transformer 12V Selection
86754	SOL1 Q MINI PAR16 / GU10	107x107	60	Colours		



INSTALLATION



Colour Codes:

1 White 2 Titan 3 Black 0 Colours



OSRAM: HALOSPOT 111
 PHILIPS: ALULINE 111
 PAR 30
 OSRAM: HCI-R 111
 PHILIPS: CDM-R 111

OSRAM: HCI-T
 PHILIPS: CDM-T
 OSRAM: HCI-TC
 PHILIPS: CDM-TC

- Outer frame of diecast aluminium with support fins
- Inner adjustable ring of diecast aluminium.
- Glass-reflector holder ring of high durability plastic.
- Faceted reflector of high purity aluminium **Spot**: glossy or **Flood**: matt, at the luminaires with lamps HIT-CE, HIT-TC-CE.
- Transparent protection glass at the luminaires with lamps HIT-CE, HIT-TC-CE.

SOL 1 Q
(RECESSED LUMINAIRES)

					PRICE LIST	
CODE	DESCRIPTION	HOLE	INNER HEIGHT	COLOUR	Without Control Gear	
86812	SOL1 Q QR111 max. 100W	165x165	130	White, Titan, Black		+ Transformer 12V Selection
86813	SOL1 Q CDM-R 111 / GX8,5 35-150W	165x165	130	White, Titan, Black		+ Control Gear Selection HIT
86814	SOL1 Q PAR 30 / E27 max. 75W	165x165	130	White, Titan, Black		
86815	SOL1 Q HIT-TC-CE / G8,5 35-150W Flood	165x165	130	White, Titan, Black		+ Control Gear Selection HIT
86816	SOL1 Q HIT-TC-CE / G8,5 35-150W Spot	165x165	130	White, Titan, Black		+ Control Gear Selection HIT
86817	SOL1 Q HIT-CE / G12 35-150W Flood	165x165	130	White, Titan, Black		+ Control Gear Selection HIT
86818	SOL1 Q HIT-CE / G12 35-150W Spot	165x165	130	White, Titan, Black		+ Control Gear Selection HIT
86812	SOL1 Q QR111 max. 100W	165x165	130	Colours		+ Transformer 12V Selection
86813	SOL1 Q CDM-R 111 / GX8,5 35-150W	165x165	130	Colours		+ Control Gear Selection HIT
86814	SOL1 Q PAR 30 / E27 max. 75W	165x165	130	Colours		
86815	SOL1 Q HIT-TC-CE / G8,5 35-150W Flood	165x165	130	Colours		+ Control Gear Selection HIT
86816	SOL1 Q HIT-TC-CE / G8,5 35-150W Spot	165x165	130	Colours		+ Control Gear Selection HIT
86817	SOL1 Q HIT-CE / G12 35-150W Flood	165x165	130	Colours		+ Control Gear Selection HIT
86818	SOL1 Q HIT-CE / G12 35-150W Spot	165x165	130	Colours		+ Control Gear Selection HIT

Colour Codes:
1 White **2** Titan **5** matt Alum. **9** Anodized **0** Colours



LED

- Outer frame of diecast aluminium with support fins
- Inner adjustable ring of diecast aluminium.
- Reflector holder ring of high durability plastic.
- Faceted reflector of high purity aluminium - Spot, Flood, Wide.

HOLE: 165x165 INNER HEIGHT: 140

SOL 1 Q LED
(RECESSED LUMINAIRES)

					PRICE LIST
CODE	DESCRIPTION	LED COLOUR	BEAM COLOUR	BODY COLOUR	CONTROL GEAR INCLUDED
86837	SOL1 Q LED 24W	Selection from table A	Selection from table B	Selection from table C (White, Titan, Black)	
86837	SOL1 Q LED 24W	Selection from table A	Selection from table B	Selection from table C (Colours)	

A LED Colour Codes:
2 Warm **3** Neutral

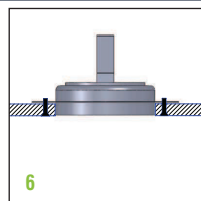
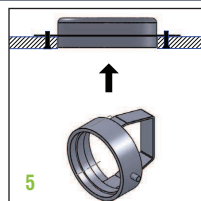
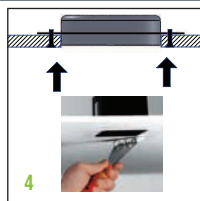
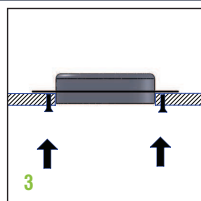
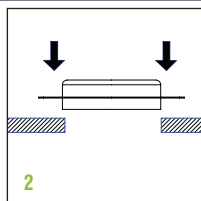
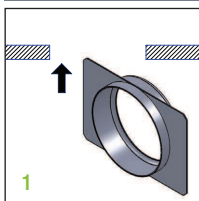



B Beam Codes:
01 narrow **02** wide **03** super-wide

C Body Colour Codes:
0 Colours **1** White **2** Titan **4** Chrome **5** matt Alum.



INSTALLATION





QR111 OSRAM: HALOSPOT 111
PHILIPS: ALULINE 111




HIT-CE G12 OSRAM: HCI-T
PHILIPS: CDM-T

PAR 30

HIT-TC-CE G8.5 OSRAM: HCI-TC
PHILIPS: CDM-TC


HI-PAR111 OSRAM: HCI-R 111
PHILIPS: CDM-R 111

SOL 1
(RECESSED LUMINAIRES)

- Outer frame of diecast aluminium with support fins
- Inner adjustable ring of diecast aluminium.
- Glass-reflector holder ring of high durability plastic.
- Faceted reflector of high purity aluminium - Spot: glossy or Flood: matt, at the luminaires with lamps HIT-CE, HIT-TC-CE.
- Transparent protection glass at the luminaires with lamps HIT-CE, HIT-TC-CE.




					PRICE LIST	
CODE	DESCRIPTION	HOLE	INNER HEIGHT	COLOUR	Without Control Gear	
86801	SOL1 QR111 max. 100W	160	130	White, Titan, Black		+ Transformer 12V Selection
86802	SOL1 CDM-R 111 / GX8,5 35-150W	160	130	White, Titan, Black		+ Control Gear Selection HIT
86803	SOL1 PAR 30 / E27 max. 75W	160	130	White, Titan, Black		
86804	SOL1 HIT-TC-CE / G8,5 35-150W Flood	160	130	White, Titan, Black		+ Control Gear Selection HIT
86805	SOL1 HIT-TC-CE / G8,5 35-150W Spot	160	130	White, Titan, Black		+ Control Gear Selection HIT
86806	SOL1 HIT-CE / G12 35-150W Flood	160	130	White, Titan, Black		+ Control Gear Selection HIT
86807	SOL1 HIT-CE / G12 35-150W Spot	160	130	White, Titan, Black		+ Control Gear Selection HIT
86801	SOL1 QR111 max. 100W	160	130	Colours		+ Transformer 12V Selection
86802	SOL1 CDM-R 111 / GX8,5 35-150W	160	130	Colours		+ Control Gear Selection HIT
86803	SOL1 PAR 30 / E27 max. 75W	160	130	Colours		
86804	SOL1 HIT-TC-CE / G8,5 35-150W Flood	160	130	Colours		+ Control Gear Selection HIT
86805	SOL1 HIT-TC-CE / G8,5 35-150W Spot	160	130	Colours		+ Control Gear Selection HIT
86806	SOL1 HIT-CE / G12 35-150W Flood	160	130	Colours		+ Control Gear Selection HIT
86807	SOL1 HIT-CE / G12 35-150W Spot	160	130	Colours		+ Control Gear Selection HIT



LED

- Outer frame of diecast aluminium with support fins.
- Inner adjustable ring of diecast aluminium.
- Reflector holder ring of high durability plastic.
- Faceted reflector of high purity aluminium - Spot, Flood, Wide.

SOL 1 LED
(RECESSED LUMINAIRES)

HOLE: 160 INNER HEIGHT: 140

					PRICE LIST	
CODE	DESCRIPTION	LED COLOUR	BEAM COLOUR	BODY COLOUR	CONTROL GEAR INCLUDED	
86835	SOL1 LED 24W	Selection from table A	Selection from table B	Selection from table C (White, Titan, Black)		
86835	SOL1 LED 24W	Selection from table A	Selection from table B	Selection from table C (Colours)		

LED Colour Codes:
2 Warm 3 Neutral

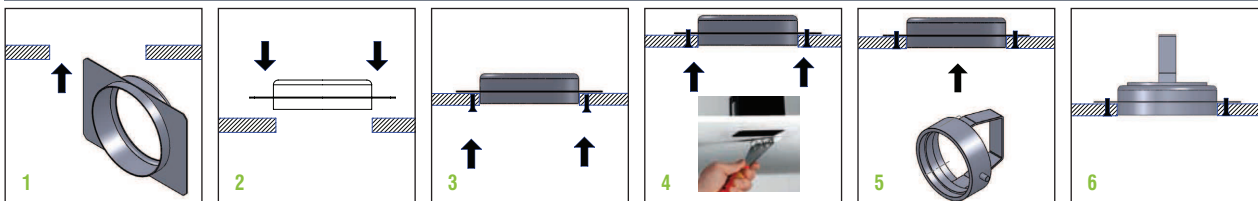



Beam Codes:
01 narrow 02 wide 03 super-wide

Body Colour Codes:
0 Colours 1 White 2 Titan 4 Chrome 5 matt Alum.



INSTALLATION





QR111 OSRAM: HALOSPOT 111
PHILIPS: ALULINE 111




HIT-CE G12 OSRAM: HCI-T
PHILIPS: CDM-T

PAR 30

HIT-TC-CE G8,5 OSRAM: HCI-TC
PHILIPS: CDM-TC


HI-PAR111 OSRAM: HCI-R 111
PHILIPS: CDM-R 111

SOL 2
(RECESSED LUMINAIRES)

- Outer frame of diecast aluminium with support fins
- Inner adjustable ring of diecast aluminium.
- Glass-reflector holder ring of high durability plastic.
- Faceted reflector of high purity aluminium - Spot: glossy or Flood: matt, at the luminaires with lamps HIT-CE, HIT-TC-CE.
- Transparent protection glass at the luminaires with lamps HIT-CE, HIT-TC-CE.




					PRICE LIST		
CODE	DESCRIPTION	HOLE DIAMETER	HEIGHT	COLOUR	Without Control Gear		
86823	SOL2 QR111 max. 100W	140	150	125	White, Titan, Black		+ Transformer 12V Selection
86824	SOL2 CDM-R 111 / GX8,5 35-150W	140	150	125	White, Titan, Black		+ Control Gear Selection HIT
86825	SOL2 PAR 30 / E27 max. 75W	140	150	125	White, Titan, Black		
86826	SOL2 HIT-TC-CE / G8,5 35-150W Flood	140	150	125	White, Titan, Black		+ Control Gear Selection HIT
86827	SOL2 HIT-TC-CE / G8,5 35-150W Spot	140	150	125	White, Titan, Black		+ Control Gear Selection HIT
86828	SOL2 HIT-CE / G12 35-150W Flood	140	150	125	White, Titan, Black		+ Control Gear Selection HIT
86829	SOL2 HIT-CE / G12 35-150W Spot	140	150	125	White, Titan, Black		+ Control Gear Selection HIT
86823	SOL2 QR111 max. 100W	140	150	125	Colours		+ Transformer 12V Selection
86824	SOL2 CDM-R 111 / GX8,5 35-150W	140	150	125	Colours		+ Control Gear Selection HIT
86825	SOL2 PAR 30 / E27 max. 75W	140	150	125	Colours		
86826	SOL2 HIT-TC-CE / G8,5 35-150W Flood	140	150	125	Colours		+ Control Gear Selection HIT
86827	SOL2 HIT-TC-CE / G8,5 35-150W Spot	140	150	125	Colours		+ Control Gear Selection HIT
86828	SOL2 HIT-CE / G12 35-150W Flood	140	150	125	Colours		+ Control Gear Selection HIT
86829	SOL2 HIT-CE / G12 35-150W Spot	140	150	125	Colours		+ Control Gear Selection HIT



LED

- Outer frame of diecast aluminium with support fins.
- Inner adjustable ring of diecast aluminium.
- Reflector holder ring of high durability plastic.
- Faceted reflector of high purity aluminium - Spot, Flood, Wide.

SOL 2 LED
(RECESSED LUMINAIRES)






HOLE: 140 DIAMETER: 150 HEIGHT: 135

					PRICE LIST	
CODE	DESCRIPTION	LED COLOUR	BEAM COLOUR	BODY COLOUR	CONTROL GEAR INCLUDED	
86839	SOL2 LED 24W	Selection from table A	Selection from table B	Selection from table C (White, Titan, Black)		
86839	SOL2 LED 24W	Selection from table A	Selection from table B	Selection from table C (Colours)		

LED Colour Codes:

2 Warm 3 Neutral




years
WARRANTY

Beam Codes:

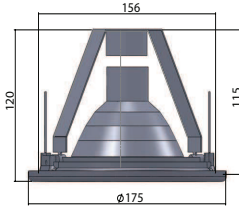
01 narrow 02 wide 03 super-wide

Body Colour Codes:

0 Colours 1 White 2 Titan 3 Black




155mm



	OSRAM: HCI-R 111 PHILIPS: CDM-R 111		OSRAM: HCI-TC PHILIPS: CDM-TC
	OSRAM: HALOSPOT 111 PHILIPS: ALULINE 111		OSRAM: HCI-T PHILIPS: CDM-T

LUNA ROUND 175 ADJUSTABLE (DOWNLIGHTS)


- Inner adjustable aluminium ring.
- Outer die cast aluminium ring.
- Transparent protection glass and pure aluminium reflector for G12 and G8.5 edition.

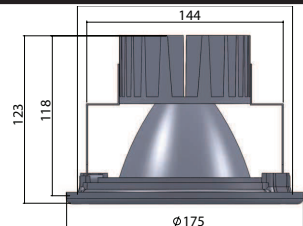


				PRICE LIST			
DESCRIPTION	HOLE	DIAMETER	HEIGHT	Without Control Gear			
				CODE	PRICE		
1x35-70W HIT-TC-CE / G8.5 Spot	155	175	110	46541			
1x35-70W HIT-TC-CE / G8.5 Flood	155	175	110	46542			
1x35-70-150W HIT-CE / G12 Spot	155	175	115	46545			
1x35-70-150W HIT-CE / G12 Flood	155	175	115	46546			
1x max. 100W QR111 / G53	155	175	70	46544			
1x35-70W HI-PAR 111 / GX8.5	155	175	100	46543			

Colour Codes:

1 White
 2 Titan
 3 Black
 4 Chrome
 5 matt Alum.
 6 Gold
 7 matt Gold
 8 Bronze
 9 Anodized






LED CHIP - High Brightness

- Anodized aluminium reflector.
- Inner adjustable aluminium ring.
- Outer die cast aluminium ring.
- Die cast aluminium heatsink.

LUNA ROUND 175 LED - ADJUSTABLE (DOWNLIGHTS)



					PRICE LIST	
CODE	DESCRIPTION	LED COLOUR	BEAMS	BODY COLOUR	DRIVER INCLUDED	
46550	LUNA ROUND 175 LED ADJUSTABLE 24W	Selection from table A	Selection from table B	Selection from table C		

Note: Thermal protection on request.

LED Colour Codes:

1 Warm CRI min.80
 2 Neutral CRI min.75
 3 Neutral CRI min.80



Beam Codes:

01 spot
 02 medium
 03 wide

Body Colour Codes:

0 Colours
 1 White
 2 Titan
 3 Black
 4 Chrome
 5 matt Alum.



OSRAM: HALOSPOT 111 PHILIPS: ALULINE 111	PAR 30	OSRAM: HCI-R 111 PHILIPS: CDM-R 111	OSRAM: HCI-PAR 30 PHILIPS: CDM-R 30
OSRAM: HCI-T PHILIPS: CDM-T	OSRAM: HCI-TC PHILIPS: CDM-TC	OSRAM: - PHILIPS: SDW-TG	OSRAM: HALOLUX PHILIPS: HALOGEN A

TEO
(RECESSED DOWNLIGHTS)

- Steel ring (flange) in flat form thickness 2mm.
- Reflector optic made of pure aluminium with faceted structure
Spot: glossy or Flood: matt, for luminaires using HIT-CE, HIT-TC-CE, HST, and QT32 lamps.
- Transparent protection glass for luminaires using HIT-CE, HIT-TC-CE, HST lamps.



PRICE LIST

CODE	DESCRIPTION	HOLE DIAMETER	HEIGHT	COLOUR	Without Control Gear	
86331	T 100 1x max.100W QR111 / G53	146	155 65	White, Titan, Black		+ Transformer 12V Selection
86332	T 110 1x max.100W PAR30 / E27	146	155 115	White, Titan, Black		
86333	T 120 1x max. 70W HI-PAR111 / GX8.5	146	155 130	White, Titan, Black		+ Control Gear Selection HIT
86334	T 130 1x max. 70W HI-PAR30 / E27	146	155 146	White, Titan, Black		+ Control Gear Selection HIT
86335	T 140 SP 1x max.150W HIT-CE / G12	146	155 146	White, Titan, Black		+ Control Gear Selection HIT
86336	T 140 FL 1x max.150W HIT-CE / G12	146	155 146	White, Titan, Black		+ Control Gear Selection HIT
86337	T 141 SP 1x max. 70W HIT-TC-CE / G8.5	146	155 141	White, Titan, Black		+ Control Gear Selection HIT
86338	T 141 FL 1x max. 70W HIT-TC-CE / G8.5	146	155 141	White, Titan, Black		+ Control Gear Selection HIT
86339	T 150 SP 1x max.100W HST / GX12-1	146	155 146	White, Titan, Black		+ Control Gear Selection HST
86340	T 150 FL 1x max.100W HST / GX12-1	146	155 146	White, Titan, Black		+ Control Gear Selection HST
86341	T 160 SP 1x max.150W QT32 / E27	146	155 146	White, Titan, Black		
86342	T 160 FL 1x max.150W QT32 / E27	146	155 146	White, Titan, Black		
863315	T 100 1x max.100W QR111 / G53	146	155 65	matt Alum.		+ Transformer 12V Selection
863325	T 110 1x max.100W PAR30 / E27	146	155 115	matt Alum.		
863335	T 120 1x max. 70W HI-PAR111 / GX8.5	146	155 130	matt Alum.		+ Control Gear Selection HIT
863345	T 130 1x max. 70W HI-PAR30 / E27	146	155 146	matt Alum.		+ Control Gear Selection HIT
863355	T 140 SP 1x max.150W HIT-CE / G12	146	155 146	matt Alum.		+ Control Gear Selection HIT
863365	T 140 FL 1x max.150W HIT-CE / G12	146	155 146	matt Alum.		+ Control Gear Selection HIT
863375	T 141 SP 1x max. 70W HIT-TC-CE / G8.5	146	155 141	matt Alum.		+ Control Gear Selection HIT
863385	T 141 FL 1x max. 70W HIT-TC-CE / G8.5	146	155 141	matt Alum.		+ Control Gear Selection HIT
863395	T 150 SP 1x max.100W HST / GX12-1	146	155 146	matt Alum.		+ Control Gear Selection HST
863405	T 150 FL 1x max.100W HST / GX12-1	146	155 146	matt Alum.		+ Control Gear Selection HST
863415	T 160 SP 1x max.150W QT32 / E27	146	155 146	matt Alum.		
863425	T 160 FL 1x max.150W QT32 / E27	146	155 146	matt Alum.		



Colour Codes:

- 1 White 2 Titan 3 Black 4 Chrome 5 matt Alum. 6 Gold 7 matt Gold 8 Bronze 9 Anodized



OSRAM: HALOSPOT 111 PHILIPS: ALULINE 111	PAR 30	OSRAM: HCI-R 111 PHILIPS: CDM-R 111	OSRAM: HCI-PAR 30 PHILIPS: CDM-R 30
OSRAM: HCI-T PHILIPS: CDM-T	OSRAM: HCI-TC PHILIPS: CDM-TC	OSRAM: - PHILIPS: SDW-TG	OSRAM: HALOLUX PHILIPS: HALOGEN A

- Steel ring (flange) in flat form thickness 2mm.
- Reflector optic made of pure aluminium with faceted structure
- Spot: glossy or Flood: matt, for luminaires using HIT-CE, HIT-TC-CE, HST, and QT32 lamps.
- Transparent protection glass for luminaires using HIT-CE, HIT-TC-CE, HST lamps.

AVO
(RECESSED DOWNLIGHTS)




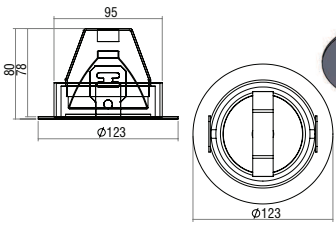

PRICE LIST


CODE	DESCRIPTION	HOLE DIAMETER	HEIGHT	COLOUR	PRICE LIST	
					Without Control Gear	
86301	R 100 1x max.100W QR111 / G53	125	160	50	White, Titan, Black	+ Transformer 12V Selection
86302	R 110 1x max.100W PAR30 / E27	125	160	100	White, Titan, Black	
86303	R 120 1x max. 70W HI-PAR111 / GX8.5	125	160	120	White, Titan, Black	+ Control Gear Selection HIT
86304	R 130 1x max. 70W HI-PAR30 / E27	125	160	132	White, Titan, Black	+ Control Gear Selection HIT
86301	R 100 1x max.100W QR111 / G53	125	160	50	Chrome, matt Alum.	+ Transformer 12V Selection
86302	R 110 1x max.100W PAR30 / E27	125	160	100	Chrome, matt Alum.	
86303	R 120 1x max. 70W HI-PAR111 / GX8.5	125	160	120	Chrome, matt Alum.	+ Control Gear Selection HIT
86304	R 130 1x max. 70W HI-PAR30 / E27	125	160	132	Chrome, matt Alum.	+ Control Gear Selection HIT



Colour Codes:

- 1 White 2 Titan 3 Black 4 Chrome 5 matt Alum. 6 Gold 7 matt Gold 8 Bronze 9 Anodized

 <p>104mm</p>						<p>QT-LP 12 GY6.35</p> <p>HIT-TC-CE PGJ5</p> <p>OSRAM: HALOSTAR PHILIPS: CAPSULELINE</p> <p>OSRAM: - PHILIPS: CDM-Tm</p> <ul style="list-style-type: none"> • Steel ring (flange). • Inner aluminium ring. • Reflector optic made of pure aluminium with faceted structure (asterion) • Transparent protection glass. 	<p>MINI TEO (RECESSED DOWNLIGHTS)</p> <p>CE F IP 20</p>
PRICE LIST							
CODE	DESCRIPTION	COLOUR	Without Control Gear				
86357	T300 1x max. 50W QT-LP 12 / GY6.35	White, Titan, Black			+ Transformer 12V Selection		
86358	T303 1x 20W or 35W HIT-TC-CE / PGJ5	White, Titan, Black			+ Control Gear Selection HIT		
86357	T300 1x max. 50W QT-LP 12 / GY6.35	Chrome, matt Alum., Gold			+ Transformer 12V Selection		
86358	T303 1x 20W or 35W HIT-TC-CE / PGJ5	Chrome, matt Alum., Gold			+ Control Gear Selection HIT		

 <p>104mm</p>				<p>LED CHIP - High Brightness</p> <ul style="list-style-type: none"> • Steel body. • Inner aluminium ring. • Anodized aluminum heatsink. • Reflector optic made of pure aluminium with faceted structure (asterion). 		<p>MINI TEO - LED (RECESSED DOWNLIGHTS)</p> <p>CE F IP 20</p>
PRICE LIST						
CODE	DESCRIPTION	LED COLOUR	BEAM COLOUR	BODY COLOUR	Without Driver	
86357	MINI TEO LED 12W	Selection from table A	Selection from table B	Selection from table C (White - Titan)		+ Driver selection
86358	MINI TEO LED 12W	Selection from table A	Selection from table B	Selection from table C (Chrome - matt Alum.)		+ Driver selection

LED Colour Codes:

2	Warm	3	Neutral
---	------	---	---------



Beam Codes:

01	spot	02	medium	03	wide
----	------	----	--------	----	------


Body Colour Codes:

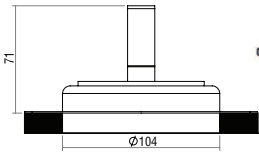
0	Colours	1	White	2	Titan	4	Chrome	5	matt Alum.
---	---------	---	-------	---	-------	---	--------	---	------------

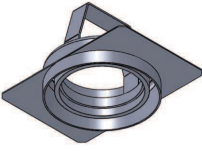
DIMMER DRIVERS					PRICE LIST	
LED LUMINAIRES DESCRIPTION	No Luminaires		DIMMER TYPE	DIMENSIONS mm	CODE	PRICE
	min.	max.				
MINI TEO LED (CONSTANT CURRENT)	12W1	1	250mA 15W IP20	1-10Vdc/Push Button	93,5 x 67 x 21	800039

Colour Codes:

1	White	2	Titan	3	Black	4	Chrome	5	matt Alum.	6	Gold	7	matt Gold	8	Bronze	9	Anodized
---	-------	---	-------	---	-------	---	--------	---	------------	---	------	---	-----------	---	--------	---	----------










QT-LP 12
OSRAM: HALOSTAR
PHILIPS: CAPSULELINE

HIT-TC-CE
OSRAM: -
PHILIPS: CDM-Tm

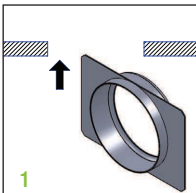
- Steel body.
- Reflector optic made of pure aluminium with faceted structure (asterion)
- Transparent protection glass.

MINI TEO - TRIMLESS
(RECESSED DOWNLIGHTS)

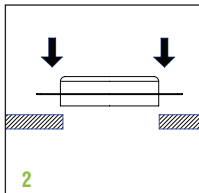




PRICE LIST			
CODE	DESCRIPTION	COLOUR	Without Control Gear
86359	T7300 1x max. 50W QT-LP 12 / GY6.35	White, Titan, Black	+ Transformer 12V Selection + Control Gear Selection HIT
86360	T7303 1x 20W or 35W HIT-TC-CE / PGJ5	White, Titan, Black	

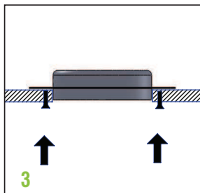
INSTALLATION



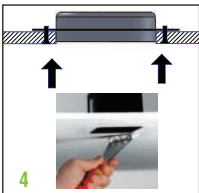
1



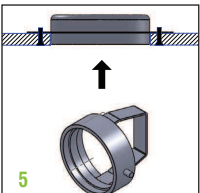
2



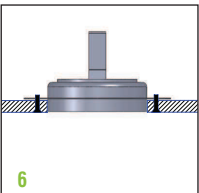
3



4




5

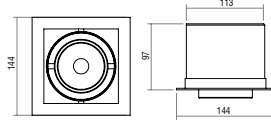


6





120x120mm



QT-LP 12 / GY6.35 OSRAM: HALOSTAR PHILIPS: CAPSULELINE


HIT-TC-CE / PGJ5 OSRAM: - PHILIPS: CDM-Tm

- Steel body.
- Reflector optic made of pure aluminium with faceted structure (asterion)
- Transparent protection glass.

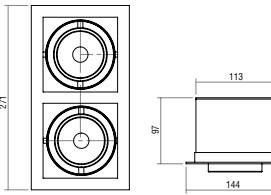
T400
(RECESSED DOWNLIGHTS)

CE F IP 20

PRICE LIST				
CODE	DESCRIPTION	COLOUR	Without Control Gear	
86001	T400 1x max. 50W QT-LP 12 / GY6.35	White, Titan, Black		+ Transformer 12V Selection
86002	T403 1x 20W or 35W HIT-TC-CE / PGJ5	White, Titan, Black		+ Control Gear Selection HIT
86001	T400 1x max. 50W QT-LP 12 / GY6.35	Chrome, matt Alum., Gold		+ Transformer 12V Selection
86002	T403 1x 20W or 35W HIT-TC-CE / PGJ5	Chrome, matt Alum., Gold		+ Control Gear Selection HIT



264x124mm



QT-LP 12 / GY6.35 OSRAM: HALOSTAR PHILIPS: CAPSULELINE


HIT-TC-CE / PGJ5 OSRAM: - PHILIPS: CDM-Tm

- Steel body.
- Reflector optic made of pure aluminium with faceted structure (asterion)
- Transparent protection glass.

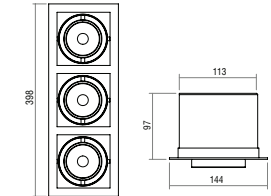
T410
(RECESSED DOWNLIGHTS)

CE F IP 20

PRICE LIST				
CODE	DESCRIPTION	COLOUR	Without Control Gear	
86003	T410 2x max. 50W QT-LP 12 / GY6.35	White, Titan, Black		+ Transformer 12V Selection
86004	T413 2x 20W or 35W HIT-TC-CE / PGJ5	White, Titan, Black		+ Control Gear Selection HIT
86003	T410 2x max. 50W QT-LP 12 / GY6.35	Chrome, matt Alum., Gold		+ Transformer 12V Selection
86004	T413 2x 20W or 35W HIT-TC-CE / PGJ5	Chrome, matt Alum., Gold		+ Control Gear Selection HIT



374x124mm



QT-LP 12 / GY6.35 OSRAM: HALOSTAR PHILIPS: CAPSULELINE

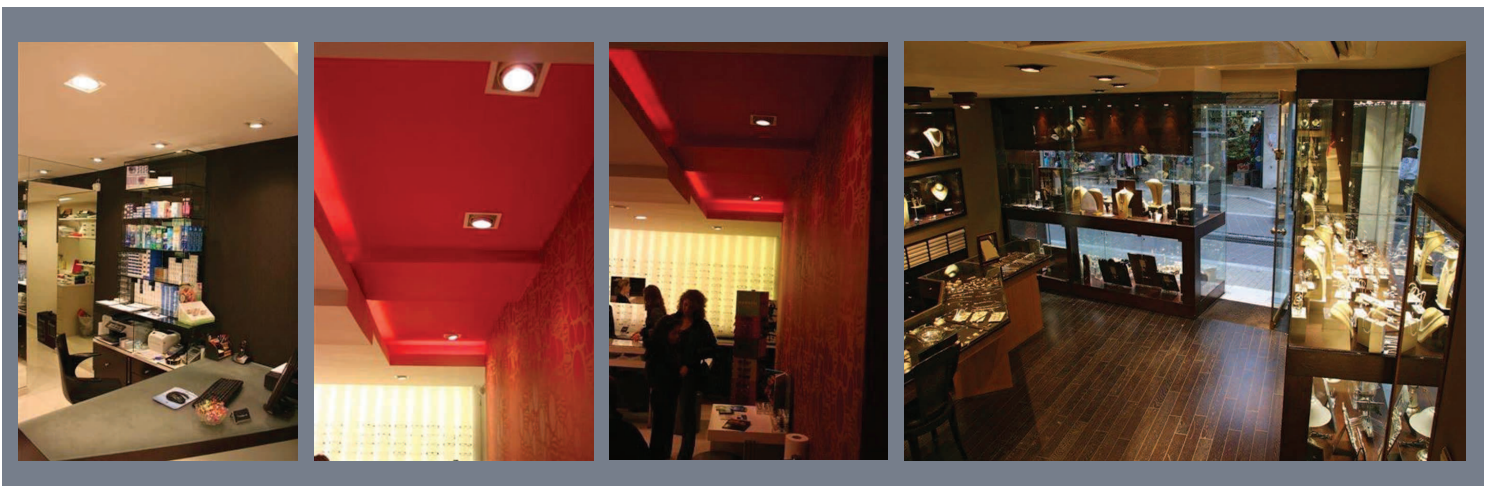
HIT-TC-CE / PGJ5 OSRAM: - PHILIPS: CDM-Tm

- Steel body.
- Reflector optic made of pure aluminium with faceted structure (asterion)
- Transparent protection glass.

T420
(RECESSED DOWNLIGHTS)


CE F IP 20

PRICE LIST				
CODE	DESCRIPTION	COLOUR	Without Control Gear	
86006	T420 3x max. 50W QT-LP 12 / GY6.35	White, Titan, Black		+ Transformer 12V Selection
86007	T423 3x 20W or 35W HIT-TC-CE / PGJ5	White, Titan, Black		+ Control Gear Selection HIT
86006	T420 3x max. 50W QT-LP 12 / GY6.35	Chrome, matt Alum., Gold		+ Transformer 12V Selection
86007	T423 3x 20W or 35W HIT-TC-CE / PGJ5	Chrome, matt Alum., Gold		+ Control Gear Selection HIT

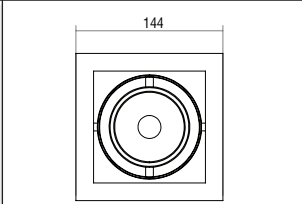


Colour Codes:

- 1 White 2 Titan 3 Black 4 Chrome 5 matt Alum. 6 Gold 7 matt Gold 8 Bronze 9 Anodized



120x120mm




144


LED CHIP - High Brightness

- Steel body.
- Inner aluminium ring.
- Reflector optic made of pure aluminium with faceted structure (asterion).
- Die cast anodized aluminium heatsink.

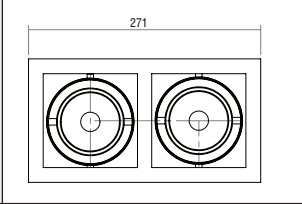
T400 - LED
(RECESSED DOWNLIGHTS)



					PRICE LIST	
CODE	DESCRIPTION	LED COLOUR	BEAM COLOUR	BODY COLOUR	Without Driver	
86001	T400 LED 1x12W	Selection from table A	Selection from table B	Selection from table C (White - Titan)	1 driver required	+ Driver selection
86001	T400 LED 1x12W	Selection from table A	Selection from table B	Selection from table C (Chrome - matt Alum.)	1 driver required	+ Driver selection



264x124mm




271

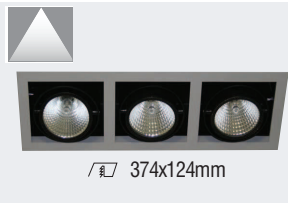
LED CHIP - High Brightness

- Steel body.
- Inner aluminium ring.
- Reflector optic made of pure aluminium with faceted structure (asterion).
- Die cast anodized aluminium heatsink.

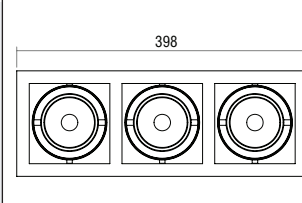
T410 - LED
(RECESSED DOWNLIGHTS)



					PRICE LIST	
CODE	DESCRIPTION	LED COLOUR	BEAM COLOUR	BODY COLOUR	Without Driver	
86003	T400 LED 2x12W	Selection from table A	Selection from table B	Selection from table C (White - Titan)	2 drivers required	+ Driver selection
86003	T400 LED 2x12W	Selection from table A	Selection from table B	Selection from table C (Chrome - matt Alum.)	2 drivers required	+ Driver selection



374x124mm




398

LED CHIP - High Brightness

- Steel body.
- Inner aluminium ring.
- Reflector optic made of pure aluminium with faceted structure (asterion).
- Die cast anodized aluminium heatsink.

T420 - LED
(RECESSED DOWNLIGHTS)



					PRICE LIST	
CODE	DESCRIPTION	LED COLOUR	BEAM COLOUR	BODY COLOUR	Without Driver	
86006	T400 LED 3x12W	Selection from table A	Selection from table B	Selection from table C (White - Titan)	3 drivers required	+ Driver selection
86006	T400 LED 3x12W	Selection from table A	Selection from table B	Selection from table C (Chrome - matt Alum.)	3 drivers required	+ Driver selection

LED Colour Codes:
2 Warm 3 Neutral



Beam Codes:
01 spot 02 medium 03 wide

Body Colour Codes:
0 Colours 1 White 2 Titan 4 Chrome 5 matt Alum.

DIMMER DRIVERS					PRICE LIST		
LED LUMINAIRES DESCRIPTION	No Luminaires		DIMMER TYPE	DIMENSIONS mm	CODE	PRICE	
	min.	max.					
T400 LED (CONSTANT CURRENT)	12W	1	1	250mA 15W IP20	1-10Vdc/Push Button	93,5 x 67 x 21	800039

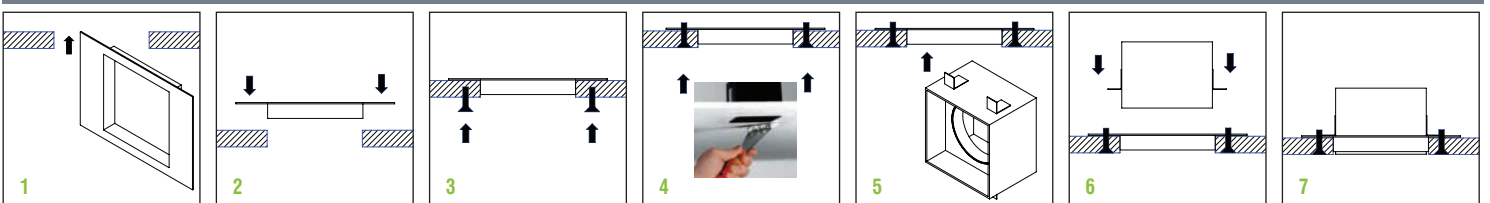
	<p>115 115 100 / 框 119x119mm</p>	<p>QT-LP 12 / GY6.35 OSRAM: HALOSTAR PHILIPS: CAPSULELINE</p> <p>HIT-TC-CE / PGJ5 OSRAM: - PHILIPS: CDM-Tm</p> <ul style="list-style-type: none"> • Steel body. • Installation frame from steel • Reflector optic made of pure aluminium with faceted structure (asterion) • Transparent protection glass. 	<p>T7400 - TRIMLESS (RECESSED DOWNLIGHTS)</p> <p>CE F IP 20</p>										
				<p style="text-align: center;">PRICE LIST</p> <table border="1"> <thead> <tr> <th>CODE</th> <th>DESCRIPTION</th> <th>COLOUR</th> <th>Without Control Gear</th> </tr> </thead> <tbody> <tr> <td>86260</td> <td>T7400 1x max. 50W QT-LP 12 / GY6.35</td> <td>White, Titan, Black</td> <td>+ Transformer 12V Selection</td> </tr> <tr> <td>86261</td> <td>T7403 1x 20W or 35W HIT-TC-CE / PGJ5</td> <td>White, Titan, Black</td> <td>+ Control Gear Selection HIT</td> </tr> </tbody> </table>		CODE	DESCRIPTION	COLOUR	Without Control Gear	86260	T7400 1x max. 50W QT-LP 12 / GY6.35	White, Titan, Black	+ Transformer 12V Selection
CODE	DESCRIPTION	COLOUR	Without Control Gear										
86260	T7400 1x max. 50W QT-LP 12 / GY6.35	White, Titan, Black	+ Transformer 12V Selection										
86261	T7403 1x 20W or 35W HIT-TC-CE / PGJ5	White, Titan, Black	+ Control Gear Selection HIT										

	<p>225 115 100 / 框 229x119mm</p>	<p>QT-LP 12 / GY6.35 OSRAM: HALOSTAR PHILIPS: CAPSULELINE</p> <p>HIT-TC-CE / PGJ5 OSRAM: - PHILIPS: CDM-Tm</p> <ul style="list-style-type: none"> • Steel body. • Installation frame from steel • Reflector optic made of pure aluminium with faceted structure (asterion) • Transparent protection glass. 	<p>T7410 - TRIMLESS (RECESSED DOWNLIGHTS)</p> <p>CE F IP 20</p>										
				<p style="text-align: center;">PRICE LIST</p> <table border="1"> <thead> <tr> <th>CODE</th> <th>DESCRIPTION</th> <th>COLOUR</th> <th>Without Control Gear</th> </tr> </thead> <tbody> <tr> <td>86262</td> <td>T7410 2x max. 50W QT-LP 12 / GY6.35</td> <td>White, Titan, Black</td> <td>+ Transformer 12V Selection</td> </tr> <tr> <td>86263</td> <td>T7413 2x 20W or 35W HIT-TC-CE / PGJ5</td> <td>White, Titan, Black</td> <td>+ Control Gear Selection HIT</td> </tr> </tbody> </table>		CODE	DESCRIPTION	COLOUR	Without Control Gear	86262	T7410 2x max. 50W QT-LP 12 / GY6.35	White, Titan, Black	+ Transformer 12V Selection
CODE	DESCRIPTION	COLOUR	Without Control Gear										
86262	T7410 2x max. 50W QT-LP 12 / GY6.35	White, Titan, Black	+ Transformer 12V Selection										
86263	T7413 2x 20W or 35W HIT-TC-CE / PGJ5	White, Titan, Black	+ Control Gear Selection HIT										

	<p>335 115 100 / 框 339x119mm</p>	<p>QT-LP 12 / GY6.35 OSRAM: HALOSTAR PHILIPS: CAPSULELINE</p> <p>HIT-TC-CE / PGJ5 OSRAM: - PHILIPS: CDM-Tm</p> <ul style="list-style-type: none"> • Steel body. • Installation frame from steel • Reflector optic made of pure aluminium with faceted structure (asterion) • Transparent protection glass. 	<p>T7420 - TRIMLESS (RECESSED DOWNLIGHTS)</p> <p>CE F IP 20</p>										
				<p style="text-align: center;">PRICE LIST</p> <table border="1"> <thead> <tr> <th>CODE</th> <th>DESCRIPTION</th> <th>COLOUR</th> <th>Without Control Gear</th> </tr> </thead> <tbody> <tr> <td>86264</td> <td>T7420 3x max. 50W QT-LP 12 / GY6.35</td> <td>White, Titan, Black</td> <td>+ Transformer 12V Selection</td> </tr> <tr> <td>86265</td> <td>T7423 3x 20W or 35W HIT-TC-CE / PGJ5</td> <td>White, Titan, Black</td> <td>+ Control Gear Selection HIT</td> </tr> </tbody> </table>		CODE	DESCRIPTION	COLOUR	Without Control Gear	86264	T7420 3x max. 50W QT-LP 12 / GY6.35	White, Titan, Black	+ Transformer 12V Selection
CODE	DESCRIPTION	COLOUR	Without Control Gear										
86264	T7420 3x max. 50W QT-LP 12 / GY6.35	White, Titan, Black	+ Transformer 12V Selection										
86265	T7423 3x 20W or 35W HIT-TC-CE / PGJ5	White, Titan, Black	+ Control Gear Selection HIT										



INSTALLATION



Colour Codes:

- 1 White 2 Titan 3 Black 4 Chrome 5 matt Alum. 6 Gold 7 matt Gold 8 Bronze 9 Anodized

	OSRAM: HALOSPOT 111 PHILIPS: ALULINE 111	PAR 30	OSRAM: HCI-PAR 30 PHILIPS: CDM-R 30	T600 (RECESSED DOWNLIGHTS)				
	OSRAM: HCI-T PHILIPS: CDM-T	OSRAM: HCI-R 111 PHILIPS: CDM-R 111	<ul style="list-style-type: none"> • Steel body. • Reflector optic made of pure aluminium with faceted structure- Spot: glossy or Flood: matt, for luminaires using HIT-CE. • Transparent protection glass for luminaires using HIT-CE. 					
PRICE LIST							Without Control Gear	
CODE	DESCRIPTION			Hole	L x W	H	COLOUR	
86010	T600	1x max. 100W	QR111 / G53	142x142	168x170	85	White, Titan, Black	+ Transformer 12V Selection
86011	T601	1x max. 100W	PAR30 / E27	142x142	168x170	120	White, Titan, Black	
86012	T602	1x max. 70W	HI-PAR30 / E27	142x142	168x170	150	White, Titan, Black	+ Control Gear Selection HIT
86013	T603 FL	1x max. 150W	HIT-CE / G12	162x158	190x186	150	White, Titan, Black	+ Control Gear Selection HIT
86014	T604 SP	1x max. 150W	HIT-CE / G12	162x158	190x186	150	White, Titan, Black	+ Control Gear Selection HIT
86015	T605	1x max. 70W	HI-PAR111 / GX8.5	142x142	168x170	120	White, Titan, Black	+ Control Gear Selection HIT
86010	T600	1x max. 100W	QR111 / G53	142x142	168x170	85	Chrome, matt Alum., Gold	+ Transformer 12V Selection
86011	T601	1x max. 100W	PAR30 / E27	142x142	168x170	120	Chrome, matt Alum., Gold	
86012	T602	1x max. 70W	HI-PAR30 / E27	142x142	168x170	150	Chrome, matt Alum., Gold	+ Control Gear Selection HIT
86013	T603 FL	1x max. 150W	HIT-CE / G12	162x158	190x186	150	Chrome, matt Alum., Gold	+ Control Gear Selection HIT
86014	T604 SP	1x max. 150W	HIT-CE / G12	162x158	190x186	150	Chrome, matt Alum., Gold	+ Control Gear Selection HIT
86015	T605	1x max. 70W	HI-PAR111 / GX8.5	142x142	168x170	120	Chrome, matt Alum., Gold	+ Control Gear Selection HIT

	OSRAM: HALOSPOT 111 PHILIPS: ALULINE 111	PAR 30	OSRAM: HCI-PAR 30 PHILIPS: CDM-R 30	T610 (RECESSED DOWNLIGHTS)				
	OSRAM: HCI-T PHILIPS: CDM-T	OSRAM: HCI-R 111 PHILIPS: CDM-R 111	<ul style="list-style-type: none"> • Steel body. • Reflector optic made of pure aluminium with faceted structure- Spot: glossy or Flood: matt, for luminaires using HIT-CE. • Transparent protection glass for luminaires using HIT-CE. 					
PRICE LIST							Without Control Gear	
CODE	DESCRIPTION			Hole	L x W	H	COLOUR	
86017	T610	2x max. 100W	QR111 / G53	277x140	305x168	85	White, Titan, Black	+ Transformer 12V Selection
86018	T611	2x max. 100W	PAR30 / E27	277x140	305x168	120	White, Titan, Black	
86019	T612	2x max. 70W	HI-PAR30 / E27	277x140	305x168	150	White, Titan, Black	+ Control Gear Selection HIT
86020	T613 FL	2x max. 150W	HIT-CE / G12	312x158	340x186	150	White, Titan, Black	+ Control Gear Selection HIT
86021	T614 SP	2x max. 150W	HIT-CE / G12	312x158	340x186	150	White, Titan, Black	+ Control Gear Selection HIT
86022	T615	2x max. 70W	HI-PAR111 / GX8.5	277x140	305x168	120	White, Titan, Black	+ Control Gear Selection HIT
86023	T616	1x max. 100W	QR111+1x max. 70W HI-PAR30	277x140	305x168	150	White, Titan, Black	+ Control Gear Selection + Transf. 12V
86024	T617	1x max. 100W	QR111+1x max. 150W HIT-CE	312x158	340x186	150	White, Titan, Black	+ Control Gear Selection + Transf. 12V
86017	T610	2x max. 100W	QR111 / G53	277x140	305x168	85	Chrome, matt Alum., Gold	+ Transformer 12V Selection
86018	T611	2x max. 100W	PAR30 / E27	277x140	305x168	120	Chrome, matt Alum., Gold	
86019	T612	2x max. 70W	HI-PAR30 / E27	277x140	305x168	150	Chrome, matt Alum., Gold	+ Control Gear Selection HIT
86020	T613 FL	2x max. 150W	HIT-CE / G12	312x158	340x186	150	Chrome, matt Alum., Gold	+ Control Gear Selection HIT
86021	T614 SP	2x max. 150W	HIT-CE / G12	312x158	340x186	150	Chrome, matt Alum., Gold	+ Control Gear Selection HIT
86022	T615	2x max. 70W	HI-PAR111 / GX8.5	277x140	305x168	120	Chrome, matt Alum., Gold	+ Control Gear Selection HIT
86023	T616	1x max. 100W	QR111+1x max. 70W HI-PAR30	277x140	305x168	150	Chrome, matt Alum., Gold	+ Control Gear Selection + Transf. 12V
86024	T617	1x max. 100W	QR111+1x max. 150W HIT-CE	312x158	340x186	150	Chrome, matt Alum., Gold	+ Control Gear Selection + Transf. 12V

Colour Codes:

1 White 2 Titan 3 Black 4 Chrome 5 matt Alum. 6 Gold 7 matt Gold 8 Bronze 9 Anodized



OSRAM: HALOSPOT 111 PHILIPS: ALULINE 111	PAR 30	OSRAM: HCI-PAR 30 PHILIPS: CDM-R 30
OSRAM: HCI-T PHILIPS: CDM-T	OSRAM: HCI-R 111 PHILIPS: CDM-R 111	

- Steel body.
- Reflector optic made of pure aluminium with faceted structure-
Spot: glossy or Flood: matt, for luminaires using HIT-CE.
- Transparent protection glass for luminaires using HIT-CE.

T620
(RECESSED DOWNLIGHTS)



PRICE LIST

CODE	DESCRIPTION	Hole	L x W	H	COLOUR	Without Control Gear	
86033	T620 3x max. 100W QR111 / G53	407x140	435x168	85	White, Titan, Black		+ Transformer 12V Selection
86034	T621 3x max. 100W PAR30 / E27	407x140	435x168	120	White, Titan, Black		
86035	T622 3x max. 70W HI-PAR30 / E27	407x140	435x168	150	White, Titan, Black		+ Control Gear Selection HIT
86036	T623 FL 3x max. 150W HIT-CE / G12	462x158	490x186	150	White, Titan, Black		+ Control Gear Selection HIT
86037	T624 SP 3x max. 150W HIT-CE / G12	462x158	490x186	150	White, Titan, Black		+ Control Gear Selection HIT
86038	T625 3x max. 70W HI-PAR111 / GX8.5	407x140	435x168	120	White, Titan, Black		+ Control Gear Selection HIT
86039	T626 2x max. 100W QR111+1x max. 70W HI-PAR30	407x140	435x168	150	White, Titan, Black		+ Control Gear Selection + Transf. 12V
86040	T627 1x max. 100W QR111+2x max. 70W HI-PAR30	407x140	435x168	150	White, Titan, Black		+ Control Gear Selection + Transf. 12V
86041	T628 2x max. 100W QR111+1x max. 150W HIT-CE	462x158	490x186	150	White, Titan, Black		+ Control Gear Selection + Transf. 12V
86042	T629 1x max. 100W QR111+2x max. 150W HIT-CE	462x158	490x186	150	White, Titan, Black		+ Control Gear Selection + Transf. 12V
86033	T620 3x max. 100W QR111 / G53	407x140	435x168	85	Chrome, matt Alum., Gold		+ Transformer 12V Selection
86034	T621 3x max. 100W PAR30 / E27	407x140	435x168	120	Chrome, matt Alum., Gold		
86035	T622 3x max. 70W HI-PAR30 / E27	407x140	435x168	150	Chrome, matt Alum., Gold		+ Control Gear Selection HIT
86036	T623 FL 3x max. 150W HIT-CE / G12	462x158	490x186	150	Chrome, matt Alum., Gold		+ Control Gear Selection HIT
86037	T624 SP 3x max. 150W HIT-CE / G12	462x158	490x186	150	Chrome, matt Alum., Gold		+ Control Gear Selection HIT
86038	T625 3x max. 70W HI-PAR111 / GX8.5	407x140	435x168	120	Chrome, matt Alum., Gold		+ Control Gear Selection HIT
86039	T626 2x max. 100W QR111+1x max. 70W HI-PAR30	407x140	435x168	150	Chrome, matt Alum., Gold		+ Control Gear Selection + Transf. 12V
86040	T627 1x max. 100W QR111+2x max. 70W HI-PAR30	407x140	435x168	150	Chrome, matt Alum., Gold		+ Control Gear Selection + Transf. 12V
86041	T628 2x max. 100W QR111+1x max. 150W HIT-CE	462x158	490x186	150	Chrome, matt Alum., Gold		+ Control Gear Selection + Transf. 12V
86042	T629 1x max. 100W QR111+2x max. 150W HIT-CE	462x158	490x186	150	Chrome, matt Alum., Gold		+ Control Gear Selection + Transf. 12V



Colour Codes:

- 1 White 2 Titan 3 Black 4 Chrome 5 matt Alum. 6 Gold 7 matt Gold 8 Bronze 9 Anodized



- OSRAM: HALOSPOT 111
 PHILIPS: ALULINE 111
- PAR 30
- OSRAM: HCI-PAR 30
 PHILIPS: CDM-R 30
- OSRAM: HCI-T
 PHILIPS: CDM-T
- OSRAM: HCI-R 111
 PHILIPS: CDM-R 111

- Steel body.
- Reflector optic made of pure aluminium with faceted structure-
Spot: glossy or Flood: matt, for luminaires using HIT-CE.
- Transparent protection glass for luminaires using HIT-CE.

T630
(RECESSED DOWNLIGHTS)



PRICE LIST

CODE	DESCRIPTION	Hole	L x W	H	COLOUR	Without Control Gear	
86059	T630 4x max. 100W QR111 / G53	277x272	300x305	85	White, Titan, Black		+ Transformer 12V Selection
86060	T631 4x max. 100W PAR30 / E27	277x272	300x305	120	White, Titan, Black		
86061	T632 4x max. 70W HI-PAR30 / E27	277x272	300x305	150	White, Titan, Black		+ Control Gear Selection HIT
86062	T633 FL 4x max. 150W HIT-CE / G12	312x306	340x334	150	White, Titan, Black		+ Control Gear Selection HIT
86063	T634 SP 4x max. 150W HIT-CE / G12	312x306	340x334	150	White, Titan, Black		+ Control Gear Selection HIT
86064	T635 4x max. 70W HI-PAR111 / GX8.5	277x272	300x305	120	White, Titan, Black		+ Control Gear Selection HIT
86065	T636 2x max. 100W QR111+2x max. 70W HI-PAR30	277x272	300x305	150	White, Titan, Black		+ Control Gear Selection + Transf. 12V
86066	T637 2x max. 100W QR111+2x max. 150W HIT-CE	312x306	340x334	150	White, Titan, Black		+ Control Gear Selection + Transf. 12V
86059	T630 4x max. 100W QR111 / G53	277x272	300x305	85	Chrome, matt Alum., Gold		+ Transformer 12V Selection
86060	T631 4x max. 100W PAR30 / E27	277x272	300x305	120	Chrome, matt Alum., Gold		
86061	T632 4x max. 70W HI-PAR30 / E27	277x272	300x305	150	Chrome, matt Alum., Gold		+ Control Gear Selection HIT
86062	T633 FL 4x max. 150W HIT-CE / G12	312x306	340x334	150	Chrome, matt Alum., Gold		+ Control Gear Selection HIT
86063	T634 SP 4x max. 150W HIT-CE / G12	312x306	340x334	150	Chrome, matt Alum., Gold		+ Control Gear Selection HIT
86064	T635 4x max. 70W HI-PAR111 / GX8.5	277x272	300x305	120	Chrome, matt Alum., Gold		+ Control Gear Selection HIT
86065	T636 2x max. 100W QR111+2x max. 70W HI-PAR30	277x272	300x305	150	Chrome, matt Alum., Gold		+ Control Gear Selection + Transf. 12V
86066	T637 2x max. 100W QR111+2x max. 150W HIT-CE	312x306	340x334	150	Chrome, matt Alum., Gold		+ Control Gear Selection + Transf. 12V



Colour Codes:

- 1 White
 2 Titan
 3 Black
 4 Chrome
 5 matt Alum.
 6 Gold
 7 matt Gold
 8 Bronze
 9 Anodized



OSRAM: HALOSPOT 111
PHILIPS: ALULINE 111



OSRAM: HCI-PAR 30
PHILIPS: CDM-R 30



OSRAM: HCI-T
PHILIPS: CDM-T



OSRAM: HCI-R 111
PHILIPS: CDM-R 111

- Steel body.
- Reflector optic made of pure aluminium with faceted structure-
Spot: glossy or Flood: matt, for luminaires using HIT-CE.
- Transparent protection glass for luminaires using HIT-CE.

T650
(RECESSED DOWNLIGHTS)




PRICE LIST


CODE	DESCRIPTION	Hole	L x W	H	COLOUR	Without Control Gear	
86089	T650 4x max. 100W QR111 / G53	534x140	564x168	85	White, Titan, Black		+ Transformer 12V Selection
86090	T651 4x max. 100W PAR30 / E27	534x140	564x168	120	White, Titan, Black		
86091	T652 4x max. 70W HI-PAR30 / E27	534x140	564x168	150	White, Titan, Black		+ Control Gear Selection HIT
86092	T653 FL 4x max. 150W HIT-CE / G12	612x158	640x186	150	White, Titan, Black		+ Control Gear Selection HIT
86093	T654 SP 4x max. 150W HIT-CE / G12	612x158	640x186	150	White, Titan, Black		+ Control Gear Selection HIT
86094	T655 4x max. 70W HI-PAR111 / GX8.5	534x140	564x168	120	White, Titan, Black		+ Control Gear Selection HIT
86095	T656 2x max. 100W QR111+2x max. 70W HI-PAR30	534x140	564x168	150	White, Titan, Black		+ Control Gear Selection + Transf. 12V
86096	T657 2x max. 100W PAR30+2x max. 70W HI-PAR30	534x140	564x168	150	White, Titan, Black		+ Control Gear Selection + Transf. 12V
86098	T659 2x max. 100W QR111+2x max. 150W HIT-CE	612x158	640x186	150	White, Titan, Black		+ Control Gear Selection + Transf. 12V
86089	T650 4x max. 100W QR111 / G53	534x140	564x168	85	Chrome, matt Alum., Gold		+ Transformer 12V Selection
86090	T651 4x max. 100W PAR30 / E27	534x140	564x168	120	Chrome, matt Alum., Gold		
86091	T652 4x max. 70W HI-PAR30 / E27	534x140	564x168	150	Chrome, matt Alum., Gold		+ Control Gear Selection HIT
86092	T653 FL 4x max. 150W HIT-CE / G12	612x158	640x186	150	Chrome, matt Alum., Gold		+ Control Gear Selection HIT
86093	T654 SP 4x max. 150W HIT-CE / G12	612x158	640x186	150	Chrome, matt Alum., Gold		+ Control Gear Selection HIT
86094	T655 4x max. 70W HI-PAR111 / GX8.5	534x140	564x168	120	Chrome, matt Alum., Gold		+ Control Gear Selection HIT
86095	T656 2x max. 100W QR111+2x max. 70W HI-PAR30	534x140	564x168	150	Chrome, matt Alum., Gold		+ Control Gear Selection + Transf. 12V
86096	T657 2x max. 100W PAR30+2x max. 70W HI-PAR30	534x140	564x168	150	Chrome, matt Alum., Gold		+ Control Gear Selection + Transf. 12V
86098	T659 2x max. 100W QR111+2x max. 150W HIT-CE	612x158	640x186	150	Chrome, matt Alum., Gold		+ Control Gear Selection + Transf. 12V





Colour Codes:


- 1 White 2 Titan 3 Black 4 Chrome 5 matt Alum. 6 Gold 7 matt Gold 8 Bronze 9 Anodized




 OSRAM: HALOSPOT 111
 PHILIPS: ALULINE 111

 PAR 30




 OSRAM: HCI-PAR 30
 PHILIPS: CDM-R 30

 OSRAM: HCI-T
 PHILIPS: CDM-T


 OSRAM: HCI-R 111
 PHILIPS: CDM-R 111


- Steel body.
- Installation frame from steel
- Reflector optic made of pure aluminium with faceted structure-
Spot: glossy or Flood: matt, for luminaires using HIT-CE.


T700
(RECESSED DOWNLIGHTS)







						PRICE LIST	
CODE	DESCRIPTION	Hole	L x W	H	COLOUR	Without Control Gear	
86110	T700 1x max. 100W QR111 / G53	132x132	131x131	100	White, Titan, Black		+ Transformer 12V Selection
86111	T701 1x max. 100W PAR30 / E27	132x132	131x131	120	White, Titan, Black		
86112	T702 1x max. 70W HI-PAR30 / E27	132x132	131x131	140	White, Titan, Black		+ Control Gear Selection HIT
86113	T703 FL 1x max. 150W HIT-CE / G12	153x153	152x152	150	White, Titan, Black		+ Control Gear Selection HIT
86114	T704 SP 1x max. 150W HIT-CE / G12	153x153	152x152	150	White, Titan, Black		+ Control Gear Selection HIT
86115	T705 1x max. 70W HI-PAR111 / GX8.5	132x132	131x131	140	White, Titan, Black		+ Control Gear Selection HIT




 OSRAM: HALOSPOT 111
 PHILIPS: ALULINE 111

 PAR 30




 OSRAM: HCI-PAR 30
 PHILIPS: CDM-R 30

 OSRAM: HCI-T
 PHILIPS: CDM-T


 OSRAM: HCI-R 111
 PHILIPS: CDM-R 111


- Steel body.
- Installation frame from steel
- Reflector optic made of pure aluminium with faceted structure-
Spot: glossy or Flood: matt, for luminaires using HIT-CE.

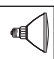
T710
(RECESSED DOWNLIGHTS)







						PRICE LIST	
CODE	DESCRIPTION	Hole	L x W	H	COLOUR	Without Control Gear	
86121	T710 2x max. 100W QR111 / G53	273x132	272x131	100	White, Titan, Black		+ Transformer 12V Selection
86122	T711 2x max. 100W PAR30 / E27	273x132	272x131	120	White, Titan, Black		
86123	T712 2x max. 70W HI-PAR30 / E27	273x132	272x131	140	White, Titan, Black		+ Control Gear Selection HIT
86124	T713 FL 2x max. 150W HIT-CE / G12	306x153	305x152	150	White, Titan, Black		+ Control Gear Selection HIT
86125	T714 SP 2x max. 150W HIT-CE / G12	306x153	305x152	150	White, Titan, Black		+ Control Gear Selection HIT
86126	T715 2x max. 70W HI-PAR111 / GX8.5	273x132	272x131	140	White, Titan, Black		+ Control Gear Selection HIT




 OSRAM: HALOSPOT 111
 PHILIPS: ALULINE 111

 PAR 30




 OSRAM: HCI-PAR 30
 PHILIPS: CDM-R 30

 OSRAM: HCI-T
 PHILIPS: CDM-T

 OSRAM: HCI-R 111
 PHILIPS: CDM-R 111

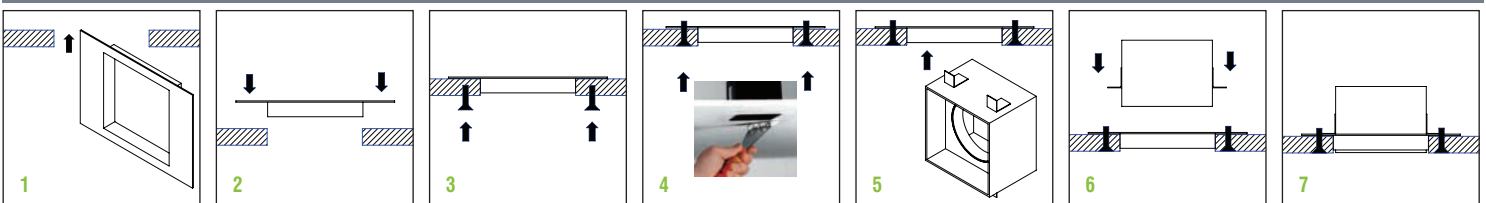
- Steel body.
- Installation frame from steel
- Reflector optic made of pure aluminium with faceted structure-
Spot: glossy or Flood: matt, for luminaires using HIT-CE.

T720
(RECESSED DOWNLIGHTS)


						PRICE LIST	
CODE	DESCRIPTION	Hole	L x W	H	COLOUR	Without Control Gear	
86142	T720 3x max. 100W QR111 / G53	401x132	400x131	100	White, Titan, Black		+ Transformer 12V Selection
86143	T721 3x max. 100W PAR30 / E27	401x132	400x131	120	White, Titan, Black		
86144	T722 3x max. 70W HI-PAR30 / E27	401x132	400x131	140	White, Titan, Black		+ Control Gear Selection HIT
86145	T723 FL 3x max. 150W HIT-CE / G12	457x153	456x152	150	White, Titan, Black		+ Control Gear Selection HIT
86146	T724 SP 3x max. 150W HIT-CE / G12	457x153	456x152	150	White, Titan, Black		+ Control Gear Selection HIT
86147	T725 3x max. 70W HI-PAR111 / GX8.5	401x132	400x131	140	White, Titan, Black		+ Control Gear Selection HIT


INSTALLATION





Colour Codes:


- 1 White
 2 Titan
 3 Black
 4 Chrome
 5 matt Alum.
 6 Gold
 7 matt Gold
 8 Bronze
 9 Anodized




 OSRAM: HALOSPOT 111
PHILIPS: ALULINE 111

 PAR 30




 OSRAM: HCI-PAR 30
PHILIPS: CDM-R 30

 OSRAM: HCI-T
PHILIPS: CDM-T


 OSRAM: HCI-R 111
PHILIPS: CDM-R 111


- Steel body.
- Installation frame from steel
- Reflector optic made of pure aluminium with faceted structure-
Spot: glossy or Flood: matt, for luminaires using HIT-CE.


T730
(RECESSED DOWNLIGHTS)







						PRICE LIST	
CODE	DESCRIPTION	Hole	L x W	H	COLOUR	Without Control Gear	
86168	T730 4x max. 100W QR111 / G53	271x271	270x270	100	White, Titan, Black		+ Transformer 12V Selection
86169	T731 4x max. 100W PAR30 / E27	271x271	270x270	120	White, Titan, Black		
86170	T732 4x max. 70W HI-PAR30 / E27	271x271	270x270	140	White, Titan, Black		+ Control Gear Selection HIT
86171	T733 FL 4x max. 150W HIT-CE / G12	306x306	305x305	150	White, Titan, Black		+ Control Gear Selection HIT
86172	T734 SP 4x max. 150W HIT-CE / G12	306x306	305x305	150	White, Titan, Black		+ Control Gear Selection HIT
86173	T735 4x max. 70W HI-PAR111 / GX8.5	271x271	270x270	140	White, Titan, Black		+ Control Gear Selection HIT




 OSRAM: HALOSPOT 111
PHILIPS: ALULINE 111

 PAR 30




 OSRAM: HCI-PAR 30
PHILIPS: CDM-R 30

 OSRAM: HCI-T
PHILIPS: CDM-T

 OSRAM: HCI-R 111
PHILIPS: CDM-R 111

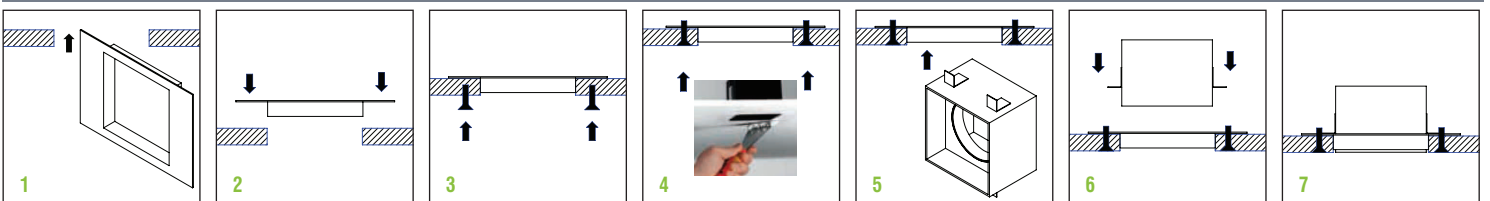
- Steel body.
- Installation frame from steel
- Reflector optic made of pure aluminium with faceted structure-
Spot: glossy or Flood: matt, for luminaires using HIT-CE.

T750
(RECESSED DOWNLIGHTS)

						PRICE LIST	
CODE	DESCRIPTION	Hole	L x W	H	COLOUR	Without Control Gear	
86184	T750 4x max. 100W QR111 / G53	531x132	530x131	100	White, Titan, Black		+ Transformer 12V Selection
86185	T751 4x max. 100W PAR30 / E27	531x132	530x131	120	White, Titan, Black		
86186	T752 4x max. 70W HI-PAR30 / E27	531x132	530x131	140	White, Titan, Black		+ Control Gear Selection HIT
86187	T753 FL 4x max. 150W HIT-CE / G12	606x153	605x152	150	White, Titan, Black		+ Control Gear Selection HIT
86188	T754 SP 4x max. 150W HIT-CE / G12	606x153	605x152	150	White, Titan, Black		+ Control Gear Selection HIT
86189	T755 4x max. 70W HI-PAR111 / GX8.5	531x132	530x131	140	White, Titan, Black		+ Control Gear Selection HIT
86191	T757 2x max. 100W QR111 + 2x max. 150W HIT-CE	606x153	605x152	150	White, Titan, Black		+ Control Gear Selection + Transf. 12V


INSTALLATION








Colour Codes:

- 1 White
 2 Titan
 3 Black
 4 Chrome
 5 matt Alum.
 6 Gold
 7 matt Gold
 8 Bronze
 9 Anodized





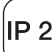


 OSRAM: HALOSPOT 111
PHILIPS: ALULINE 111
  PAR 30
  OSRAM: HCI-PAR 30
PHILIPS: CDM-R 30


 OSRAM: HCI-T
PHILIPS: CDM-T
  OSRAM: HCI-R 111
PHILIPS: CDM-R 111




- Steel body.
- Reflector optic made of pure aluminium with faceted structure-
Spot: glossy or Flood: matt, for luminaires using HIT-CE.
- Transparent protection glass for luminaires using HIT-CE.



T800
(RECESSED DOWNLIGHTS)

						PRICE LIST	
CODE	DESCRIPTION	Hole	L x W	H	COLOUR	Without Control Gear	
86200	T800 1x max. 100W QR111 / G53	168x168	200x200	125	White, Titan, Black		+ Transformer 12V Selection
86201	T801 1x max. 100W PAR30 / E27	168x168	200x200	160	White, Titan, Black		
86202	T802 1x max. 70W HI-PAR30 / E27	168x168	200x200	190	White, Titan, Black		+ Control Gear Selection HIT
86203	T803 FL 1x max. 150W HIT-CE / G12	192x192	220x220	190	White, Titan, Black		+ Control Gear Selection HIT
86204	T804 SP 1x max. 150W HIT-CE / G12	192x192	220x220	190	White, Titan, Black		+ Control Gear Selection HIT
86205	T805 1x max. 70W HI-PAR111 / GX8.5	168x168	200x200	160	White, Titan, Black		+ Control Gear Selection HIT
86200	T800 1x max. 100W QR111 / G53	168x168	200x200	125	Chrome, matt Alum., Gold		+ Transformer 12V Selection
86201	T801 1x max. 100W PAR30 / E27	168x168	200x200	160	Chrome, matt Alum., Gold		
86202	T802 1x max. 70W HI-PAR30 / E27	168x168	200x200	190	Chrome, matt Alum., Gold		+ Control Gear Selection HIT
86203	T803 FL 1x max. 150W HIT-CE / G12	192x192	220x220	190	Chrome, matt Alum., Gold		+ Control Gear Selection HIT
86204	T804 SP 1x max. 150W HIT-CE / G12	192x192	220x220	190	Chrome, matt Alum., Gold		+ Control Gear Selection HIT
86205	T805 1x max. 70W HI-PAR111 / GX8.5	168x168	200x200	160	Chrome, matt Alum., Gold		+ Control Gear Selection HIT



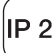


 OSRAM: HALOSPOT 111
PHILIPS: ALULINE 111
  PAR 30
  OSRAM: HCI-PAR 30
PHILIPS: CDM-R 30

 OSRAM: HCI-T
PHILIPS: CDM-T
  OSRAM: HCI-R 111
PHILIPS: CDM-R 111

- Steel body.
- Reflector optic made of pure aluminium with faceted structure-
Spot: glossy or Flood: matt, for luminaires using HIT-CE.
- Transparent protection glass for luminaires using HIT-CE.

T810
(RECESSED DOWNLIGHTS)

						PRICE LIST	
CODE	DESCRIPTION	Hole	L x W	H	COLOUR	Without Control Gear	
86211	T810 2x max. 100W QR111 / G53	352x168	200x380	125	White, Titan, Black		+ Transformer 12V Selection
86212	T811 2x max. 100W PAR30 / E27	352x168	200x380	160	White, Titan, Black		
86213	T812 2x max. 70W HI-PAR30 / E27	352x168	200x380	190	White, Titan, Black		+ Control Gear Selection HIT
86214	T813 FL 2x max. 150W HIT-CE / G12	387x192	220x415	190	White, Titan, Black		+ Control Gear Selection HIT
86215	T814 SP 2x max. 150W HIT-CE / G12	387x192	220x415	190	White, Titan, Black		+ Control Gear Selection HIT
86216	T815 2x max. 70W HI-PAR111 / GX8.5	352x168	200x380	160	White, Titan, Black		+ Control Gear Selection HIT
86211	T810 2x max. 100W QR111 / G53	352x168	200x380	125	Chrome, matt Alum., Gold		+ Transformer 12V Selection
86212	T811 2x max. 100W PAR30 / E27	352x168	200x380	160	Chrome, matt Alum., Gold		
86213	T812 2x max. 70W HI-PAR30 / E27	352x168	200x380	190	Chrome, matt Alum., Gold		+ Control Gear Selection HIT
86214	T813 FL 2x max. 150W HIT-CE / G12	387x192	220x415	190	Chrome, matt Alum., Gold		+ Control Gear Selection HIT
86215	T814 SP 2x max. 150W HIT-CE / G12	387x192	220x415	190	Chrome, matt Alum., Gold		+ Control Gear Selection HIT
86216	T815 2x max. 70W HI-PAR111 / GX8.5	352x168	200x380	160	Chrome, matt Alum., Gold		+ Control Gear Selection HIT

Colour Codes:

- 1 White
 2 Titan
 3 Black
 4 Chrome
 5 matt Alum.
 6 Gold
 7 matt Gold
 8 Bronze
 9 Anodized

OSRAM: HALOSPOT 111
 PHILIPS: ALULINE 111

PAR 30

OSRAM: HCI-PAR 30
 PHILIPS: CDM-R 30

OSRAM: HCI-T
 PHILIPS: CDM-T

OSRAM: HCI-R 111
 PHILIPS: CDM-R 111

- Steel body.
- Reflector optic made of pure aluminium with faceted structure-
Spot: glossy or Flood: matt, for luminaires using HIT-CE.
- Transparent protection glass for luminaires using HIT-CE.

T820
(RECESSED DOWNLIGHTS)

							PRICE LIST		
CODE	DESCRIPTION			Hole	L x W	H	COLOUR	Without Control Gear	
86227	T820	3x max. 100W	QR111 / G53	518x168	540x200	125	White, Titan, Black		+ Transformer 12V Selection
86228	T821	3x max. 100W	PAR30 / E27	518x168	540x200	160	White, Titan, Black		
86229	T822	3x max. 70W	HI-PAR30 / E27	518x168	540x200	190	White, Titan, Black		+ Control Gear Selection HIT
86230	T823 FL	3x max. 150W	HIT-CE / G12	522x192	550x220	190	White, Titan, Black		+ Control Gear Selection HIT
86231	T824 SP	3x max. 150W	HIT-CE / G12	522x192	550x220	190	White, Titan, Black		+ Control Gear Selection HIT
86232	T825	3x max. 70W	HI-PAR111 / GX8.5	518x168	540x200	160	White, Titan, Black		+ Control Gear Selection HIT
86227	T820	3x max. 100W	QR111 / G53	518x168	540x200	125	Chrome, matt Alum., Gold		+ Transformer 12V Selection
86228	T821	3x max. 100W	PAR30 / E27	518x168	540x200	160	Chrome, matt Alum., Gold		
86229	T822	3x max. 70W	HI-PAR30 / E27	518x168	540x200	190	Chrome, matt Alum., Gold		+ Control Gear Selection HIT
86230	T823 FL	3x max. 150W	HIT-CE / G12	522x192	550x220	190	Chrome, matt Alum., Gold		+ Control Gear Selection HIT
86231	T824 SP	3x max. 150W	HIT-CE / G12	522x192	550x220	190	Chrome, matt Alum., Gold		+ Control Gear Selection HIT
86232	T825	3x max. 70W	HI-PAR111 / GX8.5	518x168	540x200	160	Chrome, matt Alum., Gold		+ Control Gear Selection HIT

OSRAM: HALOSPOT 111
 PHILIPS: ALULINE 111

PAR 30

OSRAM: HCI-PAR 30
 PHILIPS: CDM-R 30

OSRAM: HCI-T
 PHILIPS: CDM-T

OSRAM: HCI-R 111
 PHILIPS: CDM-R 111


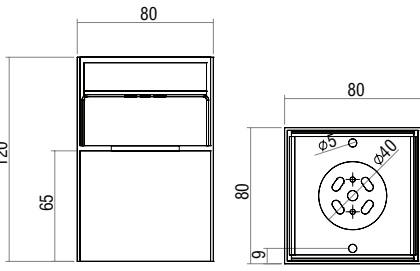
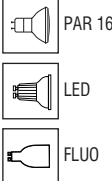
- Steel body.
- Reflector optic made of pure aluminium with faceted structure-
Spot: glossy or Flood: matt, for luminaires using HIT-CE.
- Transparent protection glass for luminaires using HIT-CE.


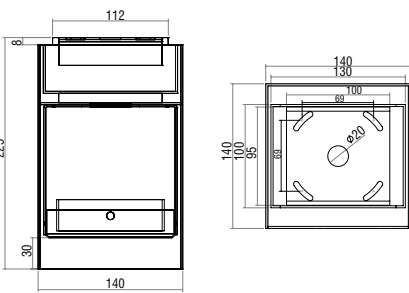

T830
(RECESSED DOWNLIGHTS)

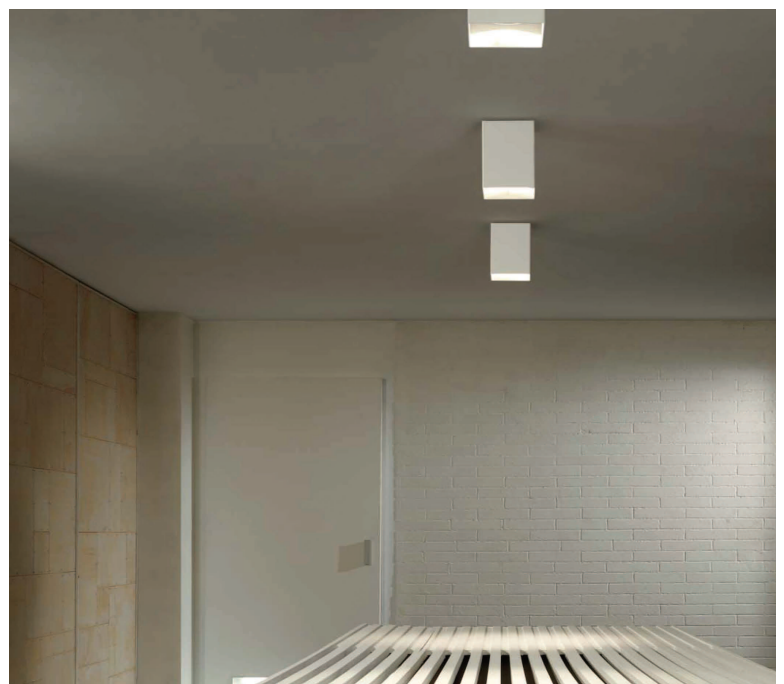
							PRICE LIST		
CODE	DESCRIPTION			Hole	L x W	H	COLOUR	Without Control Gear	
86243	T830	4x max. 100W	QR111 / G53	351x351	385x385	125	White, Titan, Black		+ Transformer 12V Selection
86244	T831	4x max. 100W	PAR30 / E27	351x351	385x385	160	White, Titan, Black		
86245	T832	4x max. 70W	HI-PAR30 / E27	351x351	385x385	190	White, Titan, Black		+ Control Gear Selection HIT
86246	T833 FL	4x max. 150W	HIT-CE / G12	386x386	420x420	190	White, Titan, Black		+ Control Gear Selection HIT
86247	T834 SP	4x max. 150W	HIT-CE / G12	386x386	420x420	190	White, Titan, Black		+ Control Gear Selection HIT
86248	T835	4x max. 70W	HI-PAR111 / GX8.5	351x351	385x385	160	White, Titan, Black		+ Control Gear Selection HIT
86243	T830	4x max. 100W	QR111 / G53	351x351	385x385	125	Chrome, matt Alum., Gold		+ Transformer 12V Selection
86244	T831	4x max. 100W	PAR30 / E27	351x351	385x385	160	Chrome, matt Alum., Gold		
86245	T832	4x max. 70W	HI-PAR30 / E27	351x351	385x385	190	Chrome, matt Alum., Gold		+ Control Gear Selection HIT
86246	T833 FL	4x max. 150W	HIT-CE / G12	386x386	420x420	190	Chrome, matt Alum., Gold		+ Control Gear Selection HIT
86247	T834 SP	4x max. 150W	HIT-CE / G12	386x386	420x420	190	Chrome, matt Alum., Gold		+ Control Gear Selection HIT
86248	T835	4x max. 70W	HI-PAR111 / GX8.5	351x351	385x385	160	Chrome, matt Alum., Gold		+ Control Gear Selection HIT

Colour Codes:

- 1 White
 2 Titan
 3 Black
 4 Chrome
 5 matt Alum.
 6 Gold
 7 matt Gold
 8 Bronze
 9 Anodized

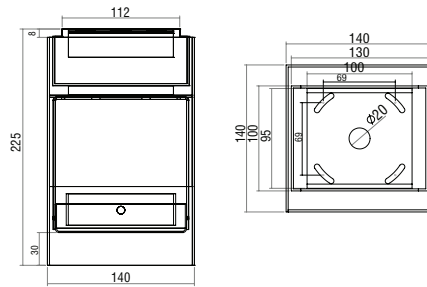
			<p>ERIS 1 (SURFACE MOUNTED)</p> <p>CE F IP 20</p>
PRICE LIST			
CODE	DESCRIPTION	COLOUR	Without Transformer
88011	ERIS1 1x50W PAR16 / GU10	White, Titan, Black	
88011	ERIS1 1x50W PAR16 / GU10	Chrome, matt Alum.	

		 <p>OSRAM: HALOSPOT 111 PHILIPS: ALULINE 111</p> <p>OSRAM: HCI-R 111 PHILIPS: CDM-R 111</p>	<p>ERIS 2 (SURFACE MOUNTED)</p> <p>CE F IP 20</p>
PRICE LIST			
CODE	DESCRIPTION	COLOUR	
88012	ERIS2 1x75W QR111 / G53 (With Electronic Transformer)	White, Titan, Black	
88013	ERIS2 1x35W HI-PAR111 / GX8.5 (With Electronic Control Gear)	White, Titan, Black	
88014	ERIS2 1x70W HI-PAR111 / GX8.5 (With Electronic Control Gear)	White, Titan, Black	
88012	ERIS2 1x75W QR111 / G53 (With Electronic Transformer)	Chrome, matt Alum.	
88013	ERIS2 1x35W HI-PAR111 / GX8.5 (With Electronic Control Gear)	Chrome, matt Alum.	
88014	ERIS2 1x70W HI-PAR111 / GX8.5 (With Electronic Control Gear)	Chrome, matt Alum.	



Colour Codes:

- 1 White 2 Titan 3 Black 4 Chrome 5 matt Alum. 6 Gold 7 matt Gold 8 Bronze 9 Anodized



OSRAM: HALOSPOT 111
 PHILIPS: ALULINE 111
 OSRAM: HCI-R 111
 PHILIPS: CDM-R 111

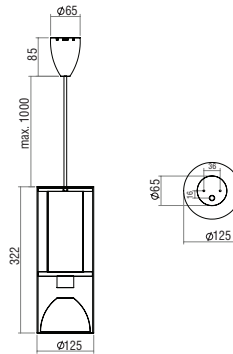
ERIS 3 - ASYMMETRIC
(SURFACE MOUNTED)



• Aluminium body

PRICE LIST

CODE	DESCRIPTION	COLOUR
88015	ERIS3 1x75W QR111 / G53 (With Electronic Transformer)	White, Titan, Black
88016	ERIS3 1x35W HI-PAR111 / GX8.5 (With Electronic Control Gear)	White, Titan, Black
88017	ERIS3 1x70W HI-PAR111 / GX8.5 (With Electronic Control Gear)	White, Titan, Black
88015	ERIS3 1x75W QR111 / G53 (With Electronic Transformer)	Chrome, matt Alum.
88016	ERIS3 1x35W HI-PAR111 / GX8.5 (With Electronic Control Gear)	Chrome, matt Alum.
88017	ERIS3 1x70W HI-PAR111 / GX8.5 (With Electronic Control Gear)	Chrome, matt Alum.



OSRAM: HCI-T
 PHILIPS: CDM-T
 PAR 30

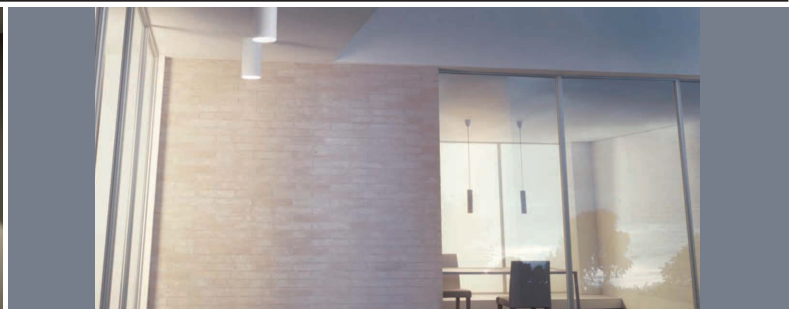
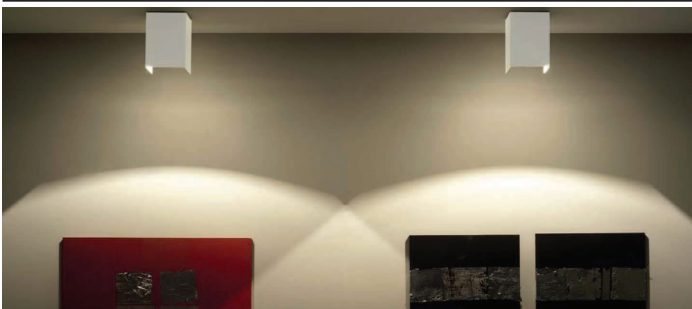
ROLLER
(SURFACE MOUNTED)



• Aluminium body


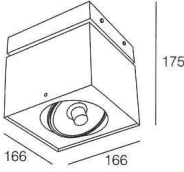
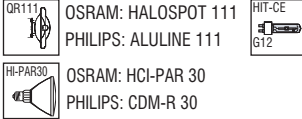

PRICE LIST


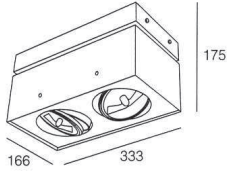
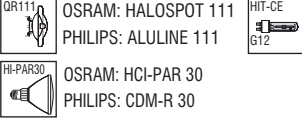

CODE	DESCRIPTION	COLOUR
88020	1x35W HIT-CE / G12 Flood IP54	White, Titan, Black
88021	1x70W HIT-CE / G12 Flood IP54	White, Titan, Black
88022	1x35W HIT-CE / G12 Spot IP54	White, Titan, Black
88023	1x70W HIT-CE / G12 Spot IP54	White, Titan, Black
88024	1x max.100W PAR30 / E27 IP20	White, Titan, Black
88020	1x35W HIT-CE / G12 Flood IP54	Chrome, matt Alum.
88021	1x70W HIT-CE / G12 Flood IP54	Chrome, matt Alum.
88022	1x35W HIT-CE / G12 Spot IP54	Chrome, matt Alum.
88023	1x70W HIT-CE / G12 Spot IP54	Chrome, matt Alum.
88024	1x max.100W PAR30 / E27 IP20	Chrome, matt Alum.
ACCESSORY		
80800	SUSPENSION with POWER SUPPLY and ROSETTE max. 1000mm	White, Titan, Black
80800	SUSPENSION with POWER SUPPLY and ROSETTE max. 1000mm	Chrome, matt Alum.


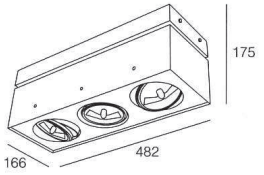
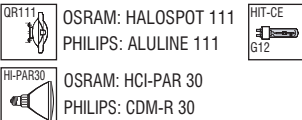



Colour Codes:

- 1 White 2 Titan 3 Black 4 Chrome 5 matt Alum. 6 Gold 7 matt Gold 8 Bronze 9 Anodized

		 <p>OSRAM: HALOSPOT 111 PHILIPS: ALULINE 111</p> <p>OSRAM: HCI-PAR 30 PHILIPS: CDM-R 30</p> <p>OSRAM: HCI-T PHILIPS: CDM-T</p>	<p>NYKS (CEILING LUMINAIRES)</p> 
PRICE LIST			Electronic Control Gear
CODE	DESCRIPTION	COLOUR	
86361	10.90005 1x max.100W QR111 / G53	White, Titan, Black	
86362	10.90030 1x35W HIT-CE / G12	White, Titan, Black	
86363	10.90031 1x70W HIT-CE / G12	White, Titan, Black	
86364	10.90036 1x35W HI-PAR30 / E27	White, Titan, Black	
86365	10.90037 1x70W HI-PAR30 / E27	White, Titan, Black	

		 <p>OSRAM: HALOSPOT 111 PHILIPS: ALULINE 111</p> <p>OSRAM: HCI-PAR 30 PHILIPS: CDM-R 30</p> <p>OSRAM: HCI-T PHILIPS: CDM-T</p>	<p>NYKS 2X (CEILING LUMINAIRES)</p> 
PRICE LIST			Electronic Control Gear
CODE	DESCRIPTION	COLOUR	
86366	10.91005 2x max.100W QR111 / G53	White, Titan, Black	
86367	10.91030 2x35W HIT-CE / G12	White, Titan, Black	
86368	10.91031 2x70W HIT-CE / G12	White, Titan, Black	
86369	10.91036 2x35W HI-PAR30 / E27	White, Titan, Black	
86370	10.91037 2x70W HI-PAR30 / E27	White, Titan, Black	
86371	10.91250 1x max.100W QR111+1x70W HIT-CE	White, Titan, Black	
86372	10.91252 1x max.100W QR111+1x70W HI-PAR30	White, Titan, Black	

		 <p>OSRAM: HALOSPOT 111 PHILIPS: ALULINE 111</p> <p>OSRAM: HCI-PAR 30 PHILIPS: CDM-R 30</p> <p>OSRAM: HCI-T PHILIPS: CDM-T</p>	<p>NYKS 3X (CEILING LUMINAIRES)</p> 
PRICE LIST			Electronic Control Gear
CODE	DESCRIPTION	COLOUR	
86373	10.92005 3x max.100W QR111 / G53	White, Titan, Black	
86374	10.92030 3x35W HIT-CE / G12	White, Titan, Black	
86375	10.92031 3x70W HIT-CE / G12	White, Titan, Black	
86376	10.92036 3x35W HI-PAR30 / E27	White, Titan, Black	
86377	10.92037 3x70W HI-PAR30 / E27	White, Titan, Black	
86378	10.92250 2x max.100W QR111+1x70W HIT-CE	White, Titan, Black	
86379	10.92252 2x max.100W QR111+1x70W HI-PAR30	White, Titan, Black	

Colour Codes:

- 1 White
 2 Titan
 3 Black
 4 Chrome
 5 matt Alum.
 6 Gold
 7 matt Gold
 8 Bronze
 9 Anodized


	OSRAM: HALOSPOT 111 PHILIPS: ALULINE 111	OSRAM: HQI-TS, HCI-TS PHILIPS: MHN-TD, CDM-TD	T640 (RECESSED DOWNLIGHTS)				
	OSRAM: DULUX D PHILIPS: PL-C	<ul style="list-style-type: none"> • Steel body. • Aluminium reflector. • Methacrylate opal protection cover for TC-D lamps or opal protection glass for HIT-DE lamps. 					
PRICE LIST							
CODE	DESCRIPTION	Hole	L x W	H	COLOUR	Without Control Gear	
86080	T640 2x max. 100W QR111 / G53+1x70W HIT-DE / RX7s	502x140	530x168	90	White, Titan, Black		+ Control Gear Selection + Transf. 12V
86081	T641 2x max. 100W QR111 / G53+1x150W HIT-DE / RX7s-24	502x140	530x168	90	White, Titan, Black		+ Control Gear Selection + Transf. 12V
86082	T643 2x max. 100W QR111 / G53+2x26W TC-D / G24d-3	542x158	570x186	90	White, Titan, Black		+ Transformer 12V Selection
86080	T640 2x max. 100W QR111 / G53+1x70W HIT-DE / RX7s	502x140	530x168	90	Chrome, matt Alum., Gold		+ Control Gear Selection + Transf. 12V
86081	T641 2x max. 100W QR111 / G53+1x150W HIT-DE / RX7s-24	502x140	530x168	90	Chrome, matt Alum., Gold		+ Control Gear Selection + Transf. 12V
86082	T643 2x max. 100W QR111 / G53+2x26W TC-D / G24d-3	542x158	570x186	90	Chrome, matt Alum., Gold		+ Transformer 12V Selection

In **T643** series the price list includes the ballast and capacitor for **compact TC-D** lamps



Colour Codes:

- 1 White 2 Titan 3 Black 4 Chrome 5 matt Alum. 6 Gold 7 matt Gold 8 Bronze 9 Anodized






QR111 OSRAM: HALOSPOT 111
PHILIPS: ALULINE 111

OSRAM: T5
PHILIPS: TL5


OSRAM: T8
PHILIPS: TL-D

- Steel body.
- Steel ring (flange).
- Methacrylate opal protection cover.

T900 PLEXI
(RECESSED DOWNLIGHTS)

PRICE LIST								
DESCRIPTION	Hole	L x W	H	COLOUR	Conventional Ballast & Capacitor		Electronic Ballast	
					CODE	PRICE	CODE	PRICE
T901 PLEXI 2x18W T26 + 2x100W QR111 / G53	905x144	936x168	118	White, Titan	86501		86502	
T902 PLEXI 2x36W T26 + 2x100W QR111 / G53	1514x144	1545x168	118	White, Titan	86505		86506	
T903 PLEXI 2x58W T26 + 2x100W QR111 / G53	1814x144	1845x168	118	White, Titan	86509		86510	
T904 PLEXI 2x24W T16 + 2x100W QR111 / G53	885x142	915x168	118	White, Titan			86514	
T905 PLEXI 2x39W T16 + 2x100W QR111 / G53	1185x142	1215x168	118	White, Titan			86518	
T906 PLEXI 2x54W T16 + 2x100W QR111 / G53	1485x142	1515x168	118	White, Titan			86522	
T907 PLEXI 2x80W T16 + 2x100W QR111 / G53	1785x142	1815x168	118	White, Titan			86526	






QR111 OSRAM: HALOSPOT 111
PHILIPS: ALULINE 111

OSRAM: T5
PHILIPS: TL5

OSRAM: T8
PHILIPS: TL-D


- Steel body.
- Steel ring (flange).
- Methacrylate opal protection cover.

T910 PLEXI
(RECESSED DOWNLIGHTS)

PRICE LIST								
DESCRIPTION	Hole	L x W	H	COLOUR	Conventional Ballast & Capacitor		Electronic Ballast	
					CODE	PRICE	CODE	PRICE
T911 PLEXI 2x18W T26 + 4x100W QR111 / G53	1175x144	1206x168	118	White, Titan	86537		86538	
T912 PLEXI 2x36W T26 + 4x100W QR111 / G53	1784x144	1815x168	118	White, Titan	86541		86542	
T914 PLEXI 2x24W T16 + 4x100W QR111 / G53	1155x142	1185x168	118	White, Titan			86550	
T915 PLEXI 2x39W T16 + 4x100W QR111 / G53	1455x142	1485x168	118	White, Titan			86554	
T916 PLEXI 2x54W T16 + 4x100W QR111 / G53	1755x142	1785x168	118	White, Titan			86558	

In **T900 & T910** series the price list **does not** include the 12V transformers for **QR-111** lamps.






QR111 OSRAM: HALOSPOT 111
PHILIPS: ALULINE 111

OSRAM: T5
PHILIPS: TL5

OSRAM: T8
PHILIPS: TL-D

- Steel body.
- Steel ring (flange).
- Parabolic louvre from glossy anodized aluminium.

T930 LOUVRE
(RECESSED DOWNLIGHTS)

PRICE LIST								
DESCRIPTION	Hole	L x W	H	COLOUR	Conventional Ballast & Capacitor		Electronic Ballast	
					CODE	PRICE	CODE	PRICE
T931 LOUVRE 2x18W T26 + 2x100W QR111 / G53	905x144	936x168	118	White, Titan	86573		86574	
T932 LOUVRE 2x36W T26 + 2x100W QR111 / G53	1514x144	1545x168	118	White, Titan	86577		86578	
T933 LOUVRE 2x58W T26 + 2x100W QR111 / G53	1814x144	1845x168	118	White, Titan	86581		86582	
T934 LOUVRE 2x24W T16 + 2x100W QR111 / G53	885x142	915x168	118	White, Titan			86586	
T935 LOUVRE 2x39W T16 + 2x100W QR111 / G53	1185x142	1215x168	118	White, Titan			86590	
T936 LOUVRE 2x54W T16 + 2x100W QR111 / G53	1485x142	1515x168	118	White, Titan			86594	
T937 LOUVRE 2x80W T16 + 2x100W QR111 / G53	1785x142	1815x168	118	White, Titan			86598	

In **T930 & T940** series the price list **does not** include the 12V transformers for **QR-111** lamps.

Colour Codes:

- 1 White
 2 Titan
 3 Black
 4 Chrome
 5 matt Alum.
 6 Gold
 7 matt Gold
 8 Bronze
 9 Anodized

QR111 OSRAM: HALOSPOT 111
PHILIPS: ALULINE 111

OSRAM: T5
PHILIPS: TL5

OSRAM: T8
PHILIPS: TL-D

- Steel body.
- Steel ring (flange).
- Parabolic louvre from glossy anodized aluminium.

T940 LOUVRE
(RECESSED DOWNLIGHTS)

							PRICE LIST			
DESCRIPTION	Hole	L x W	H	COLOUR	Conventional Ballast & Capacitor		Electronic Ballast			
					CODE	PRICE	CODE	PRICE		
T941 LOUVRE 2x18W T26 + 4x100W QR111 / G53	1175x144	1206x168	118	White, Titan	86609		86610			
T942 LOUVRE 2x36W T26 + 4x100W QR111 / G53	1784x144	1815x168	118	White, Titan	86613		86614			
T944 LOUVRE 2x24W T16 + 4x100W QR111 / G53	1155x142	1185x168	118	White, Titan			86622			
T945 LOUVRE 2x39W T16 + 4x100W QR111 / G53	1455x142	1485x168	118	White, Titan			86626			
T946 LOUVRE 2x54W T16 + 4x100W QR111 / G53	1755x142	1785x168	118	White, Titan			86630			

In T930 & T940 series the price list **does not** include the 12V transformers for QR-111 lamps.

QR111 OSRAM: HALOSPOT 111
PHILIPS: ALULINE 111

- Steel body.
- Lamp-holder base movable in two directions.

SKYLIGHT S.B.
(PENDANT LUMINAIRES)

				PRICE LIST	
CODE	DESCRIPTION	COLOUR	With Electronic Transformer 12V		
86401	342050* 2x max.50W QR111 / G53	White, Black, matt Alum.			

QR111 OSRAM: HALOSPOT 111
PHILIPS: ALULINE 111


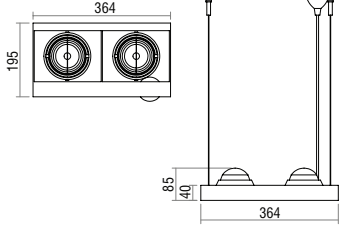




- Steel body.
- Lamp-holder base movable in two directions.


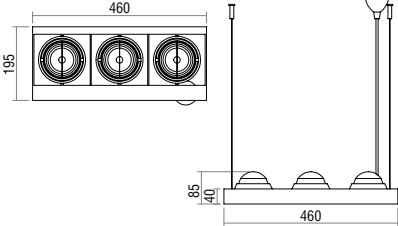




SKYLIGHT S.B.
(PENDANT LUMINAIRES)

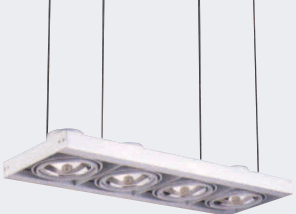
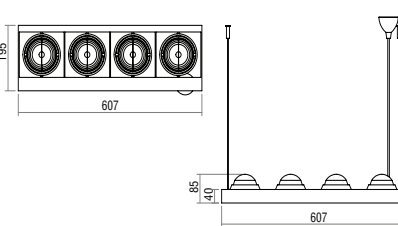




				PRICE LIST	
CODE	DESCRIPTION	COLOUR	With Electronic Transformer 12V		
86402	344050* 4x max.50W QR111 / G53	White, Black, matt Alum.			


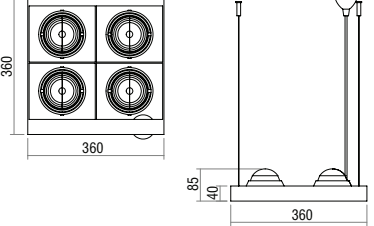




Colour Codes:

1	White	2	Titan	3	Black	4	Chrome	5	matt Alum.	6	Gold	7	matt Gold	8	Bronze	9	Anodized
---	-------	---	-------	---	-------	---	--------	---	------------	---	------	---	-----------	---	--------	---	----------

		 OSRAM: HALOSPOT 111 PHILIPS: ALULINE 111	QP 2 (PENDANT LUMINAIRES)
<ul style="list-style-type: none"> Aluminium body. Adjustable suspension wire rope 1000mm length. 			  
			PRICE LIST
CODE	DESCRIPTION	COLOUR	With Electronic Transformer 12V
86411	QP2 2x max.50W QR111 / G53	White, Titan, Black	


		 OSRAM: HALOSPOT 111 PHILIPS: ALULINE 111	QP 3 (PENDANT LUMINAIRES)
<ul style="list-style-type: none"> Aluminium body. Adjustable suspension wire rope 1000mm length. 			  
			PRICE LIST
CODE	DESCRIPTION	COLOUR	With Electronic Transformer 12V
86412	QP3 3x max.50W QR111 / G53	White, Titan, Black	

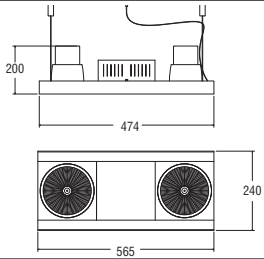
		 OSRAM: HALOSPOT 111 PHILIPS: ALULINE 111	QP 4 (PENDANT LUMINAIRES)
<ul style="list-style-type: none"> Aluminium body. Adjustable suspension wire rope 1000mm length. 			  
			PRICE LIST
CODE	DESCRIPTION	COLOUR	With Electronic Transformer 12V
86413	QP4 4x max.50W QR111 / G53	White, Titan, Black	

		 OSRAM: HALOSPOT 111 PHILIPS: ALULINE 111	QP 4 QUATTRO (PENDANT LUMINAIRES)
<ul style="list-style-type: none"> Aluminium body. Adjustable suspension wire rope 1000mm length. 			  
			PRICE LIST
CODE	DESCRIPTION	COLOUR	With Electronic Transformer 12V
86414	QP4 QUATTRO 4x max.50W QR111 / G53	White, Titan, Black	

Colour Codes:

- 1 White
 2 Titan
 3 Black
 4 Chrome
 5 matt Alum.
 6 Gold
 7 matt Gold
 8 Bronze
 9 Anodized





HIT-TC-CE / G8,5 OSRAM: HCI-TC
PHILIPS: CDM-TC


HIT-CE / G12 OSRAM: HCI-T
PHILIPS: CDM-T

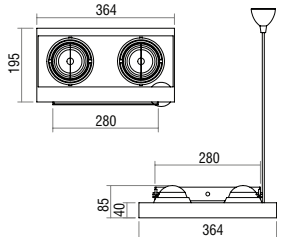
- Aluminium body.
- Reflector optic made of pure aluminium with faceted structure- Spot: glossy or Flood: matt.
- Transparent protection glass.

QP HIT
(PENDANT LUMINAIRES)

CE F IP 20

CODE	DESCRIPTION	COLOUR	PRICE LIST
			With Electronic Control Gear
86417	QP HIT 2x 35W HIT-TC-CE / G8,5	White, Titan, Black	
86415	QP HIT 2x 70W HIT-TC-CE / G8,5	White, Titan, Black	
86416	QP HIT 2x 150W HIT-CE / G12	White, Titan, Black	






QR111 OSRAM: HALOSPOT 111
PHILIPS: ALULINE 111

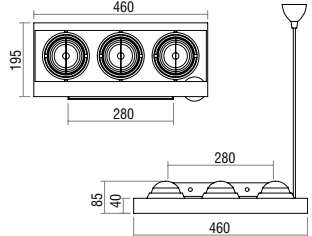
- Aluminium body.
- Lamp-holder base movable in two directions.

WEBSpace 2X
(WALL MOUNTING LUMINAIRES)

CE F IP 20

CODE	DESCRIPTION	COLOUR	PRICE LIST
			With Electronic Transformer 12V
86421	DOC6202 2x max.50W QR111 / G53	White, Titan, Black	






QR111 OSRAM: HALOSPOT 111
PHILIPS: ALULINE 111

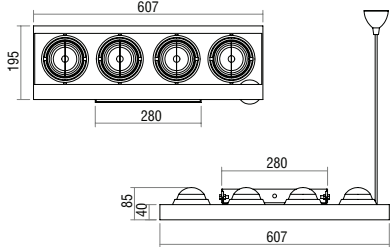
- Aluminium body.
- Lamp-holder base movable in two directions.

WEBSpace 3X
(WALL MOUNTING LUMINAIRES)

CE F IP 20

CODE	DESCRIPTION	COLOUR	PRICE LIST
			With Electronic Transformer 12V
86422	DOC6203 3x max.50W QR111 / G53	White, Titan, Black	





QR111 OSRAM: HALOSPOT 111
PHILIPS: ALULINE 111

- Aluminium body.
- Lamp-holder base movable in two directions.

WEBSpace 4X
(WALL MOUNTING LUMINAIRES)

CE F IP 20

CODE	DESCRIPTION	COLOUR	PRICE LIST
			With Electronic Transformer 12V
86423	DOC6204 4x max.50W QR111 / G53	White, Titan, Black	

Colour Codes:

- 1 White 2 Titan 3 Black 4 Chrome 5 matt Alum. 6 Gold 7 matt Gold 8 Bronze 9 Anodized



DESCRIPTION		Type	PRICE LIST					
			CODE		PRICE			
230V/12V 50W - Conventional	TRANSFORMER 12V	800001						
230V/12V 70W - Electronic	TRANSFORMER 12V	800006						
230V/12V 105W - Conventional	TRANSFORMER 12V	800002						
230V/12V 105W - Electronic	TRANSFORMER 12V	800007						
230V 20W HIT / PGJ5 - Electronic	TRANSFORMER	800008						
230V 35W HIT - Electronic	TRANSFORMER	800009						
230V 70W HIT - HST - Electronic	TRANSFORMER	800010						
230V 100W HST - Electronic	TRANSFORMER	800011						
230V 150W HIT - HST - Electronic	TRANSFORMER	800012						
Metal halide lamps (HIT) or high pressure sodium lamps (HST)		Conventional Control Gear & Capacitor				Electronic Control Gear		
		CODE				PRICE	CODE	PRICE
20W HIT / PGJ5	CONTROL GEAR						498113	
35W HIT AVO	CONTROL GEAR	498222		498223				
70W HIT - HST Display	CONTROL GEAR	498312		498323				
70W HIT - HST (for lum. AVO - TEO)	CONTROL GEAR	498322						
100W HST	CONTROL GEAR	498412		498423				
150W HIT - HST	CONTROL GEAR	498612		498623				