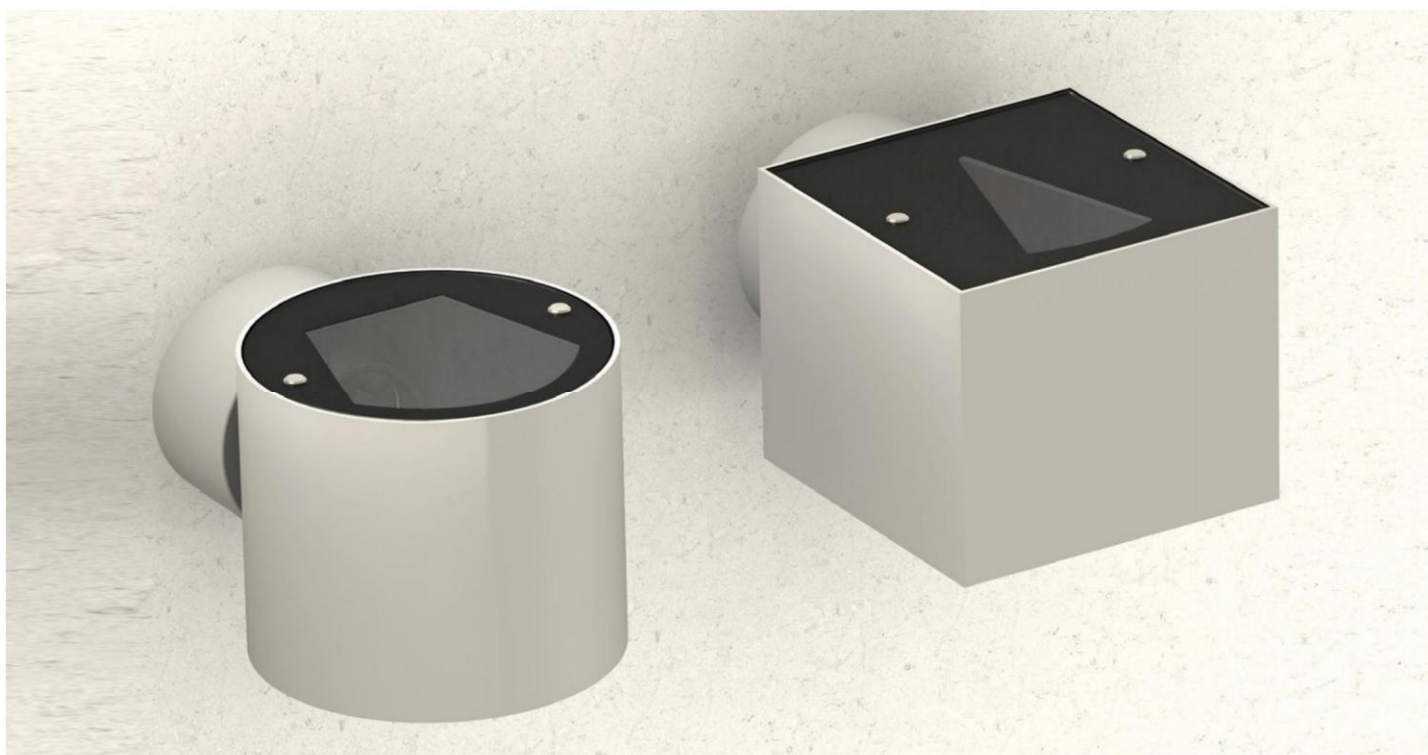


BEAM 1 / BEAM 2 IP40

Surface wall mounted luminaire with halogen or fluorescent lamps, ideal for a wide range of indoor applications. Available with one or two-way light distribution and with different beam angles.

Technical Features

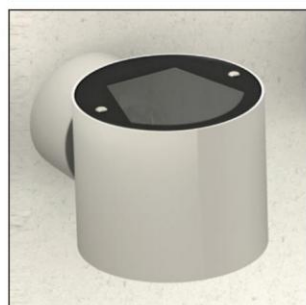
- Aluminium body, painted electrostatically in selected colour.
- Die-cast aluminium lampholder - mounting base.
- Tempered protection glass.
- Beam-angle configuration diaphragm made of aluminium.

Upon request

Special beam editions.

BEAM 1 / BEAM 2 IP40

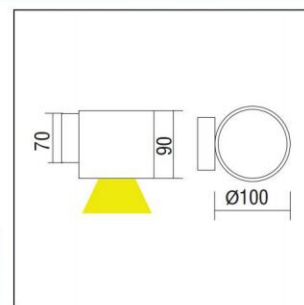
BEAM 1 - ONE WAY



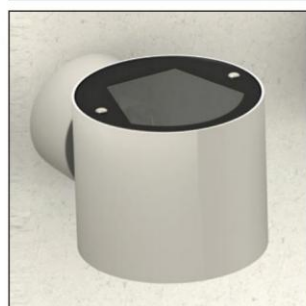
CE	F	850°C	IP 40
<small>OSRAM HALOPHILIPPS CLICKLINE MESAMARK CPL / G9</small>			

- For QT 14/G9 lamp.
- Aluminium body.

Code	Description	Kg
85717	BEAM1 - ONE WAY G9 40°	0,540
85718	BEAM1 - ONE WAY G9 100°	0,540



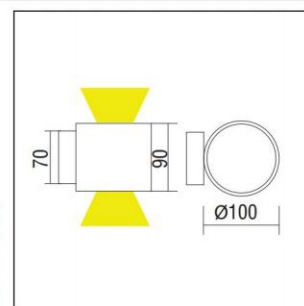
BEAM 1 - TWO WAY



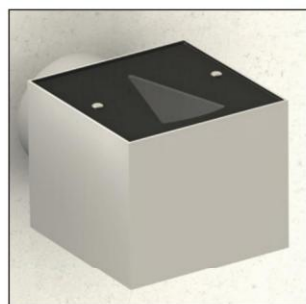
CE	F	850°C	IP 40
<small>OSRAM HALOPHILIPPS CLICKLINE MESAMARK CPL / G9</small>			

- For QT 14/G9 lamp.
- Aluminium body.

Code	Description	Kg
85711	BEAM1 - TWO WAY G9 40° / 100°	0,540
85712	BEAM1 - TWO WAY G9 100° / 100°	0,540
85713	BEAM1 - TWO WAY G9 40° / 40°	0,540



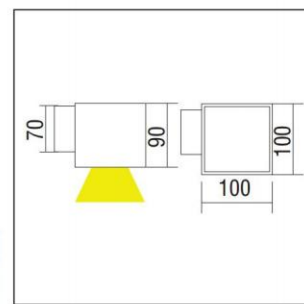
BEAM 2 - ONE WAY



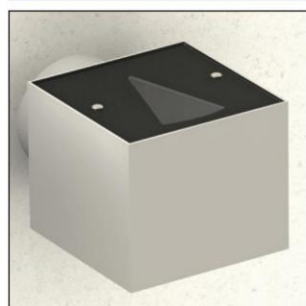
CE	F	850°C	IP 40
<small>OSRAM HALOPHILIPPS CLICKLINE MESAMARK CPL / G9</small>			

- For QT 14/G9 lamp.
- Aluminium body.

Code	Description	Kg
85719	BEAM2 - ONE WAY G9 40°	0,625
85720	BEAM2 - ONE WAY G9 100°	0,625



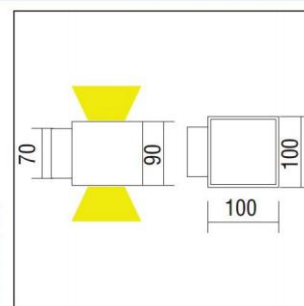
BEAM 2 - TWO WAY



CE	F	850°C	IP 40
<small>OSRAM HALOPHILIPPS CLICKLINE MESAMARK CPL / G9</small>			

- For QT 14/G9 lamp.
- Aluminium body.

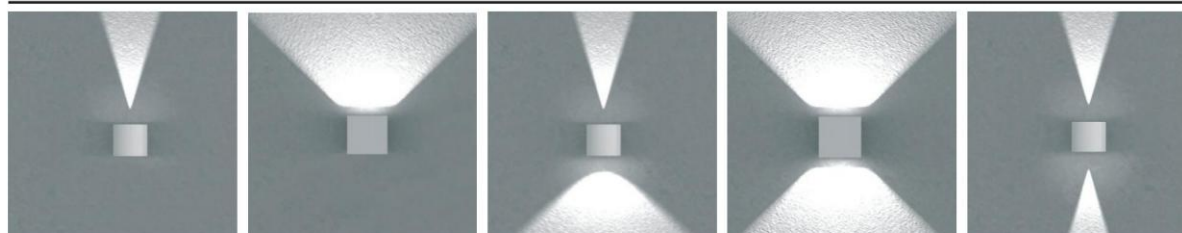
Code	Description	Kg
85714	BEAM2 - TWO WAY G9 40° / 100°	0,625
85715	BEAM2 - TWO WAY G9 100° / 100°	0,625
85716	BEAM2 - TWO WAY G9 40° / 40°	0,625



Colour Codes:

- 0 Colours 1 White 2 Titan 3 Black 4 Chrome

Versions



BEAM 1 - ONE WAY
40°

BEAM 2 - ONE WAY
100°

BEAM 1 - TWO WAY
40° / 100°

BEAM 2 - TWO WAY
100° / 100°

BEAM 1 - TWO WAY
40° / 40°

BEAM 1 / BEAM 2 IP40

